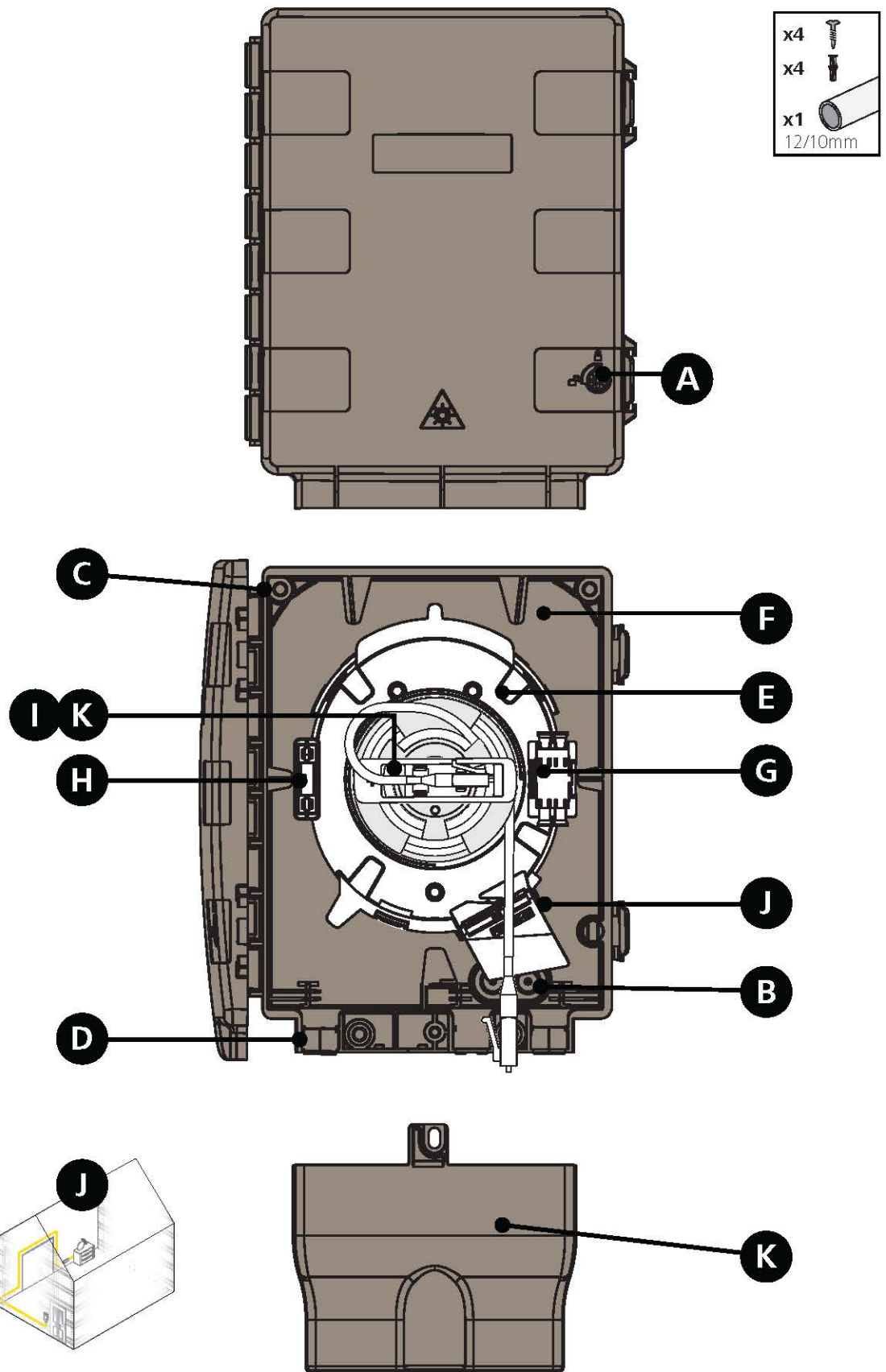


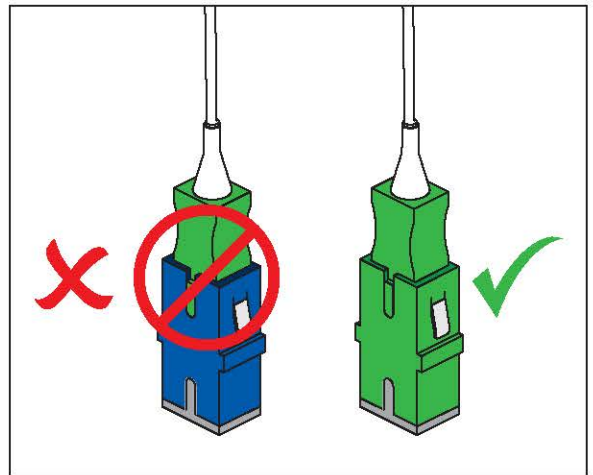
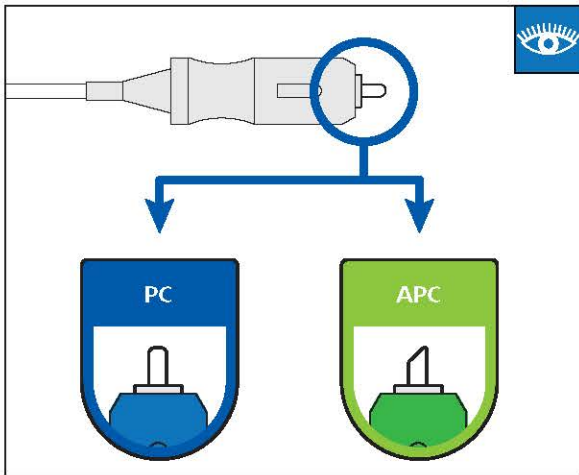
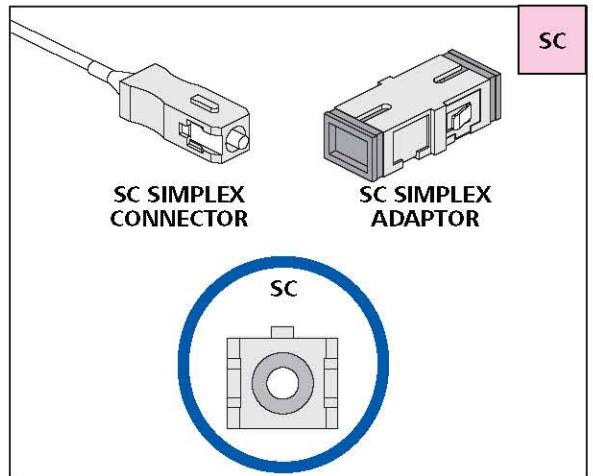
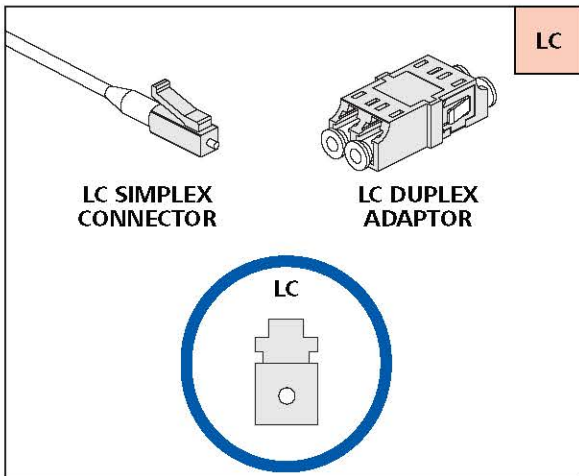


CCWB - Connectorised Customer Wall Box



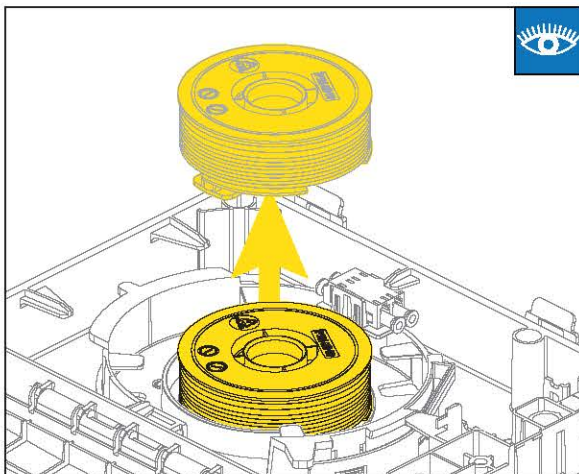
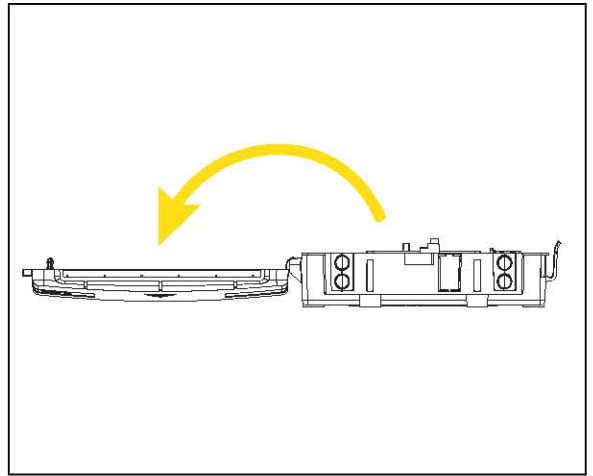
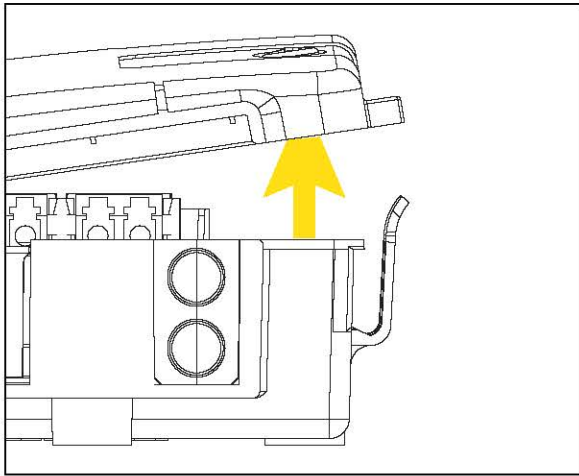
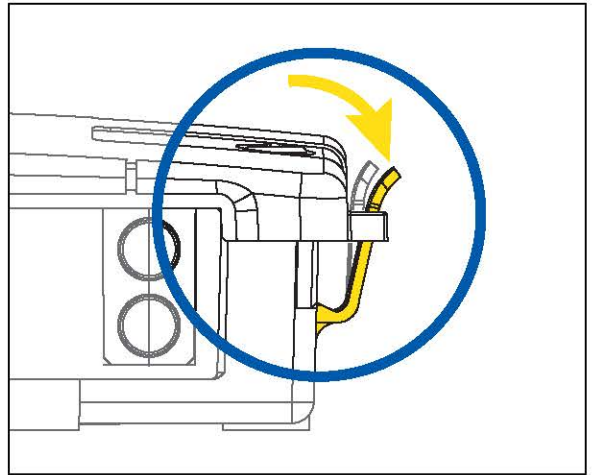
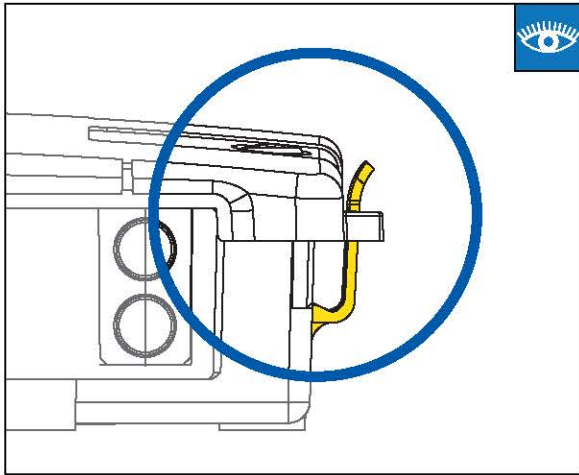
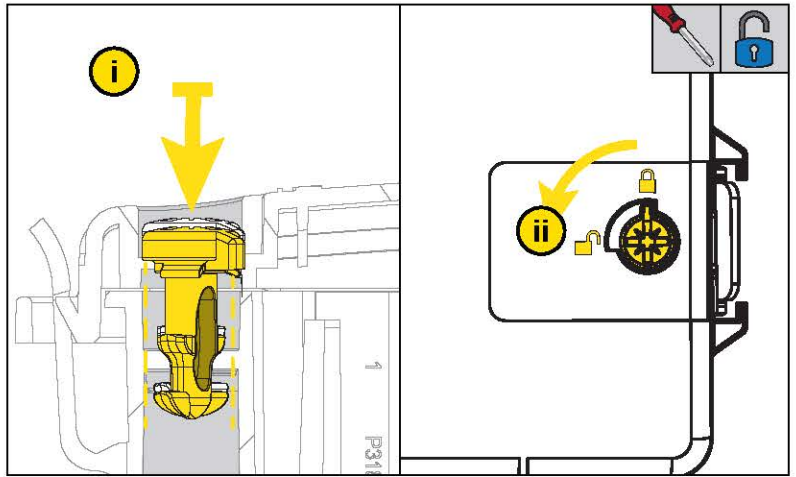
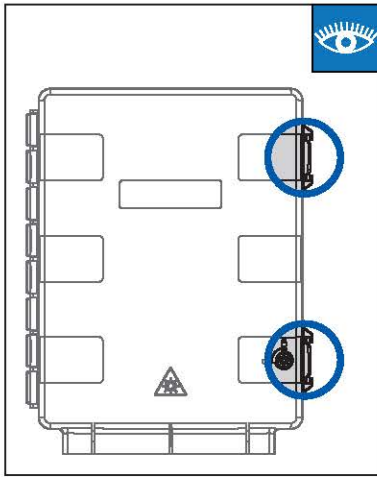
AVAILABLE SEPARATELY

IDENTIFYING YOUR EQUIPMENT



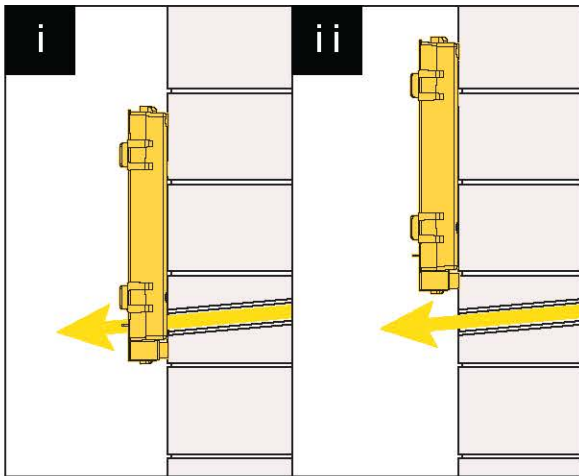
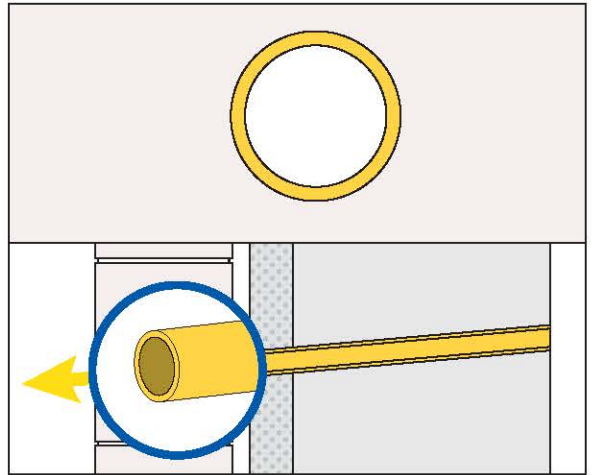
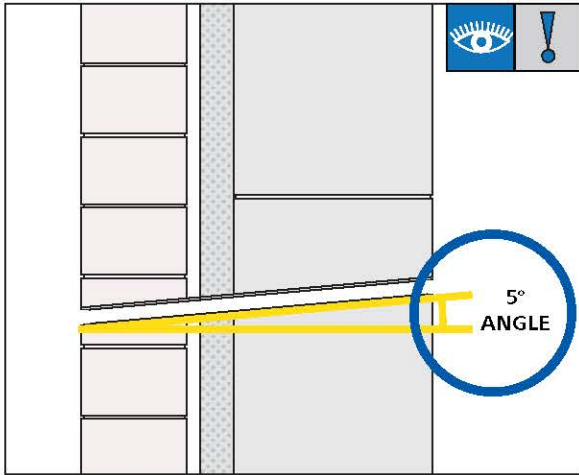
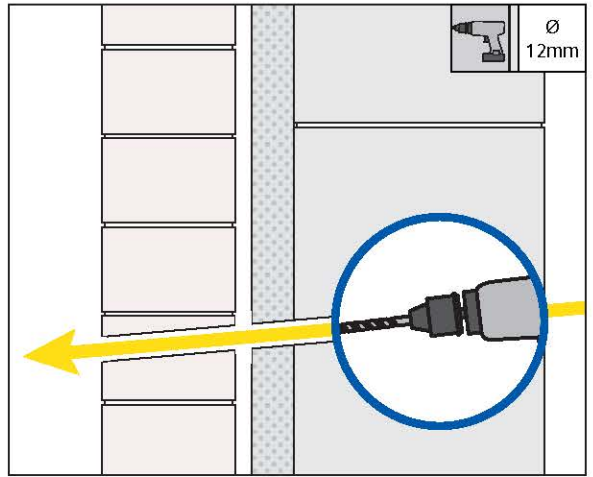
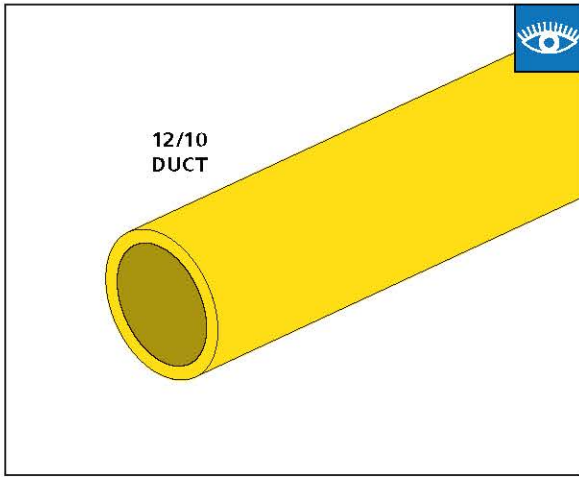
A

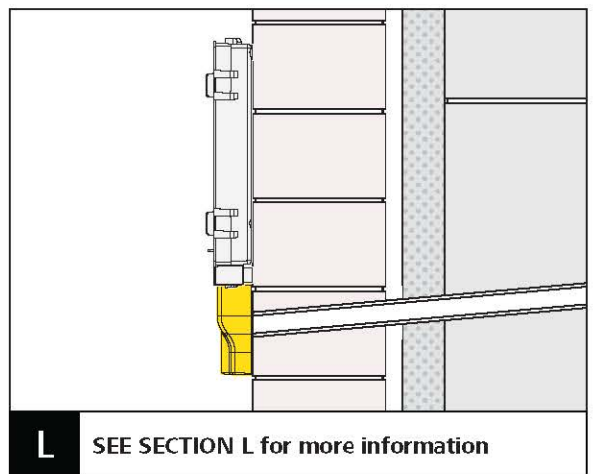
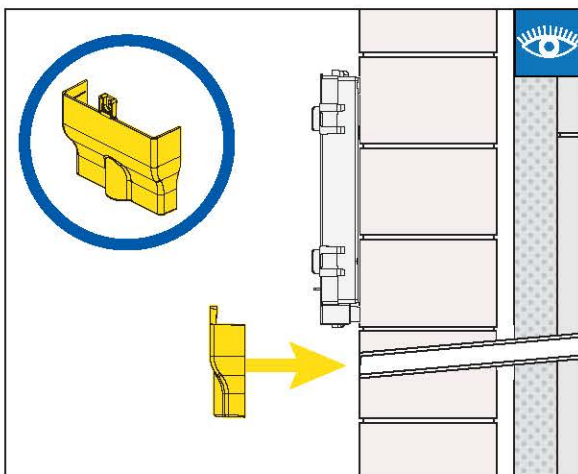
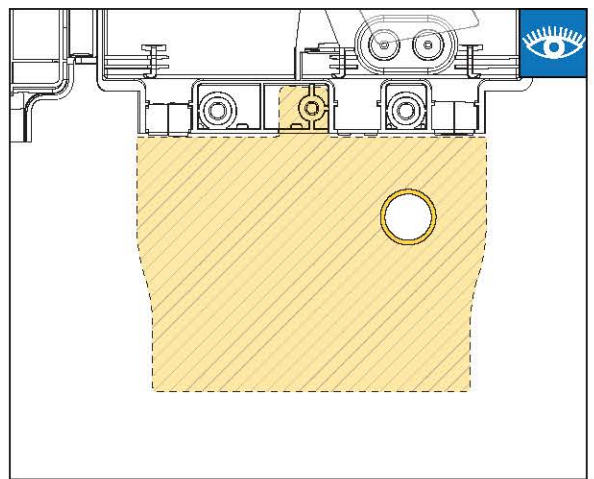
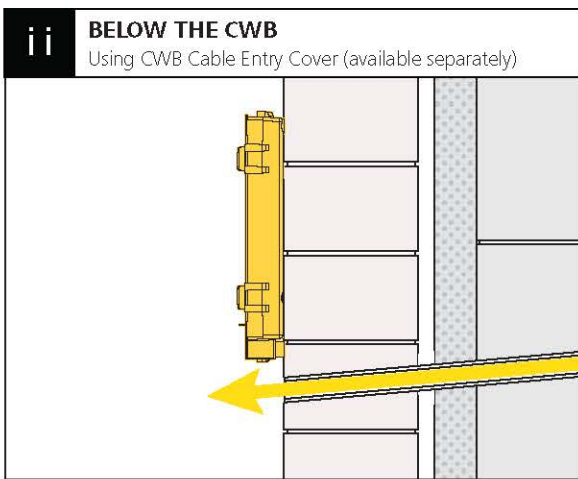
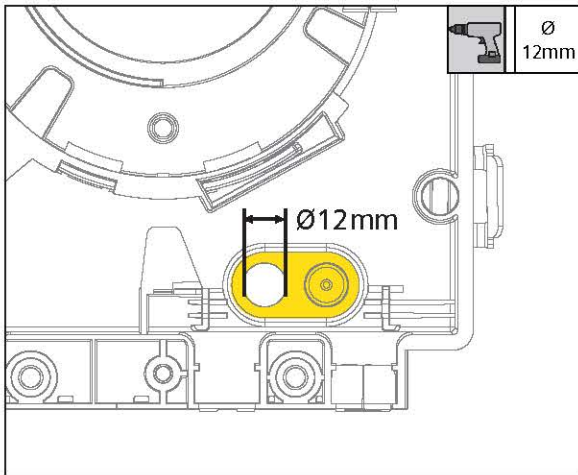
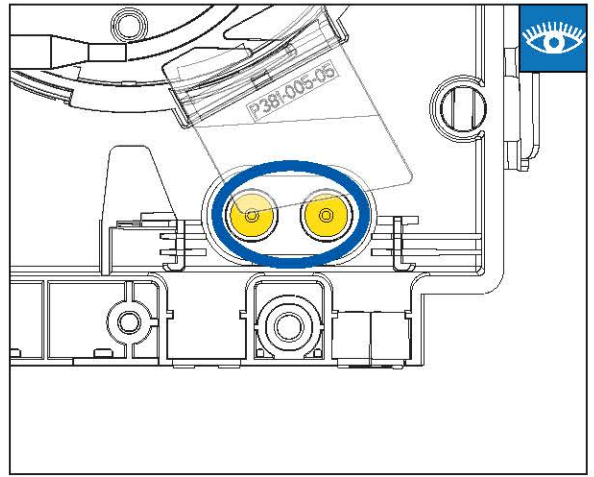
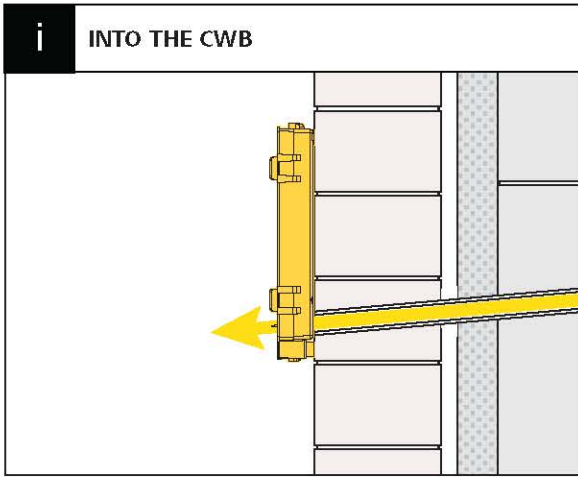
OPENING THE ENCLOSURE

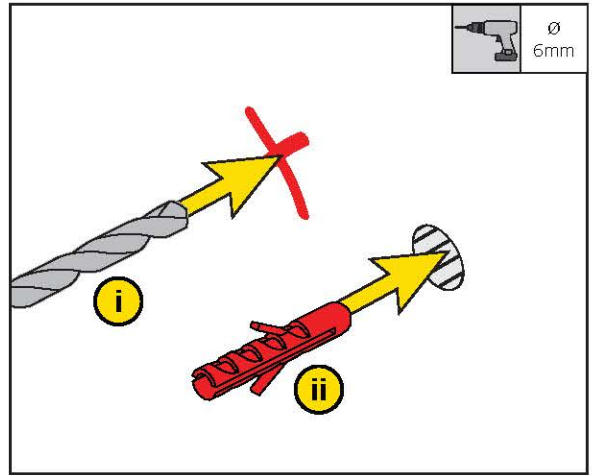
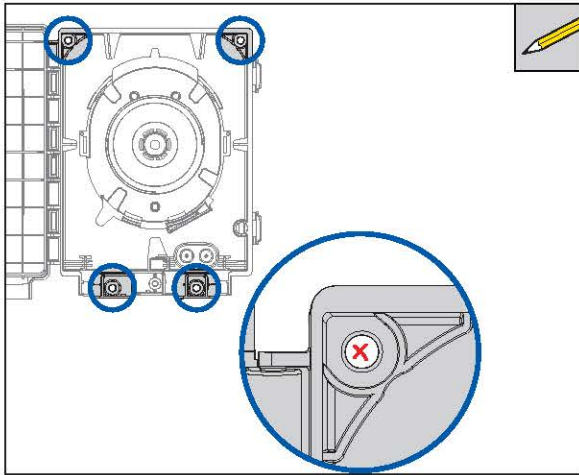
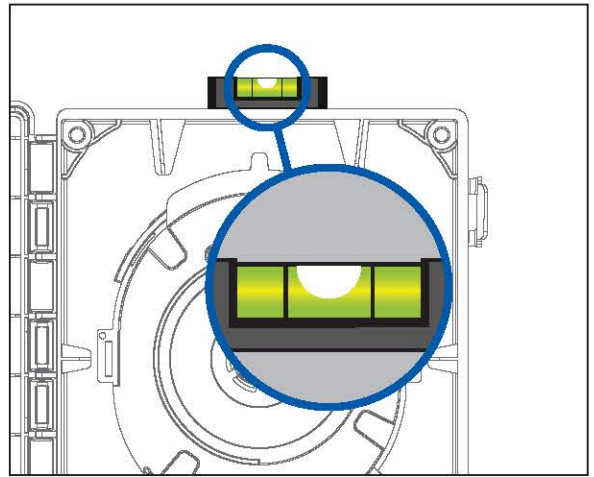
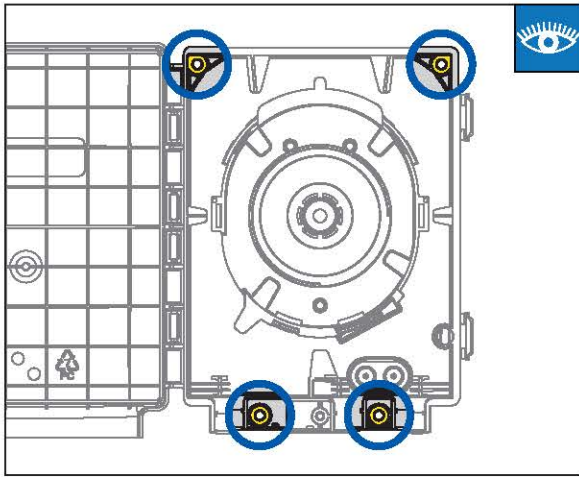


B

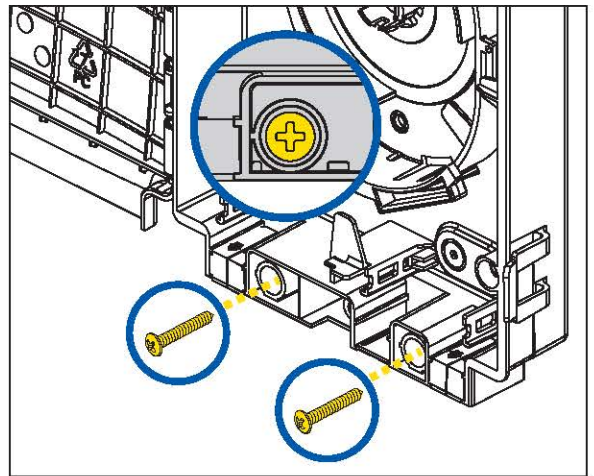
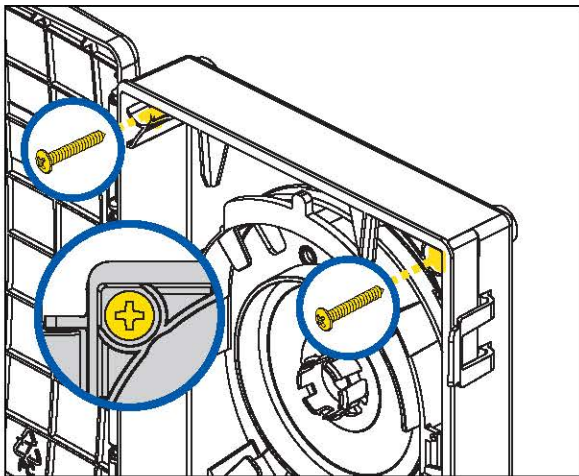
PREPARATION - THROUGH THE WALL





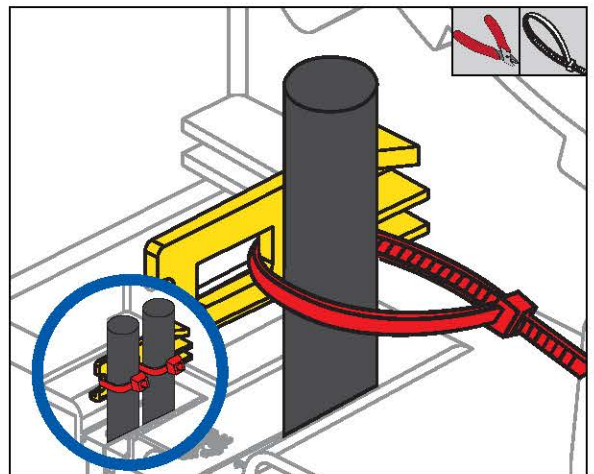
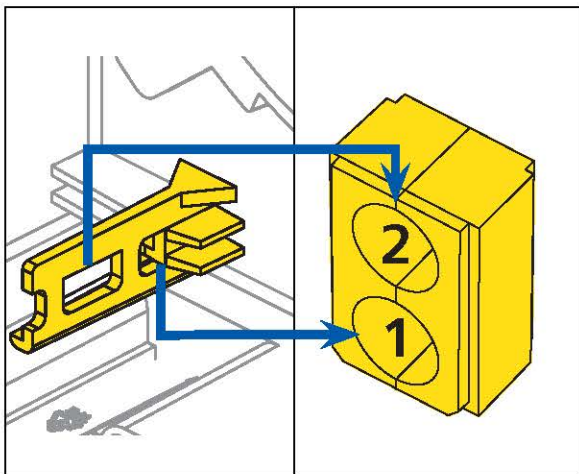
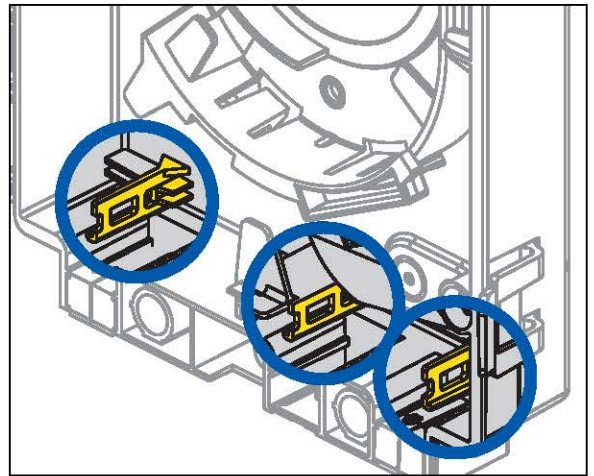
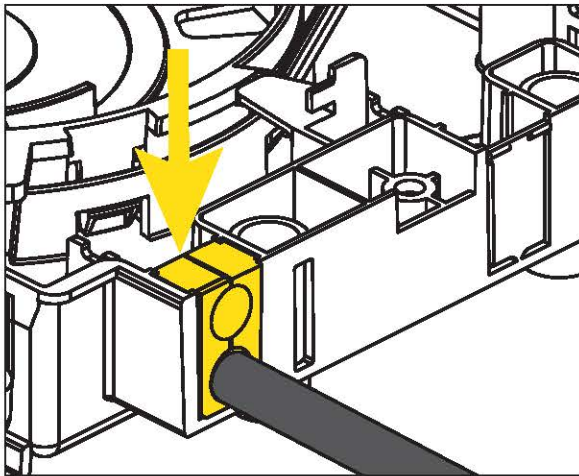
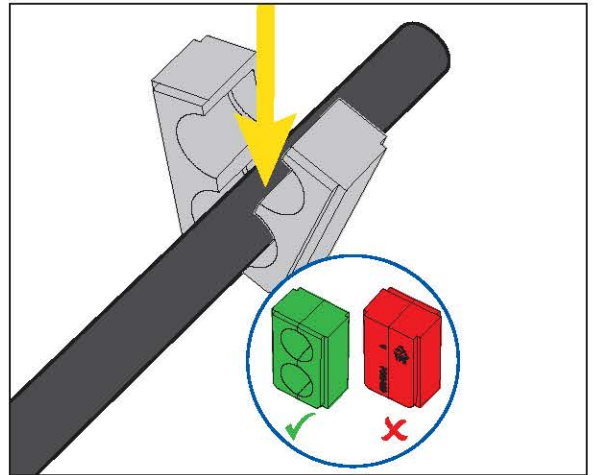
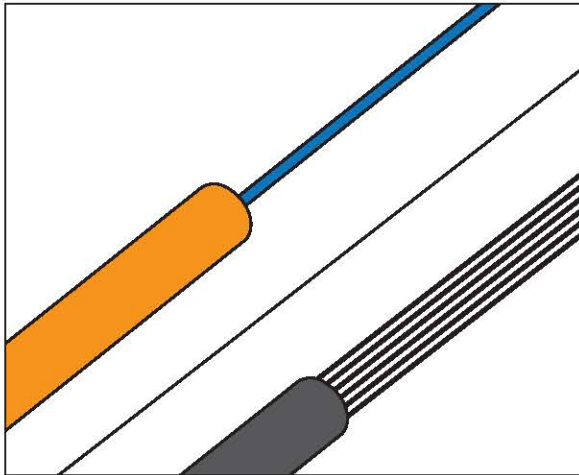
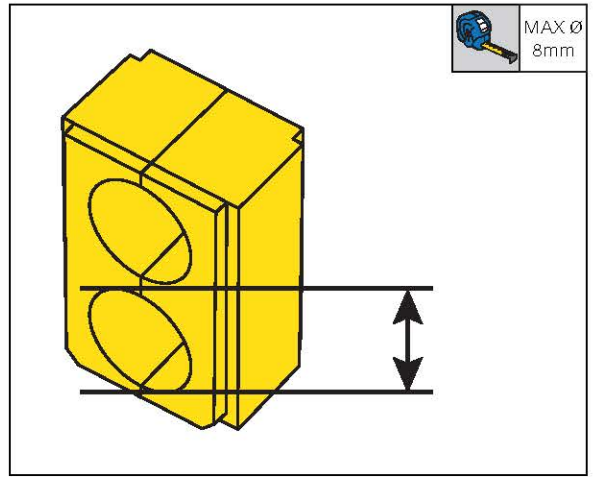
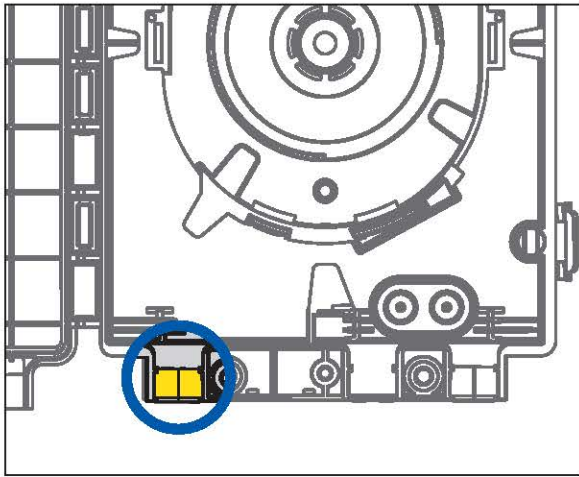


Ø 6mm



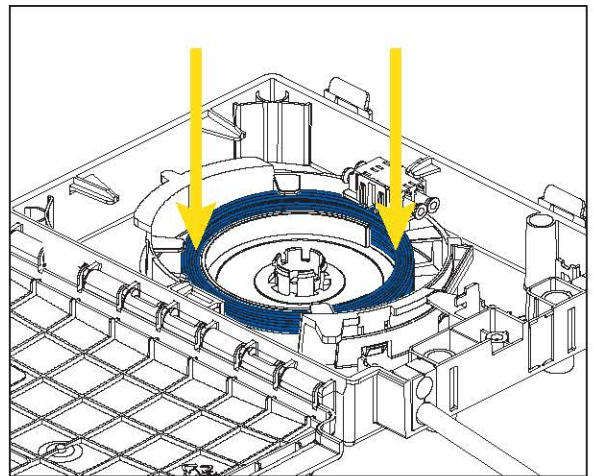
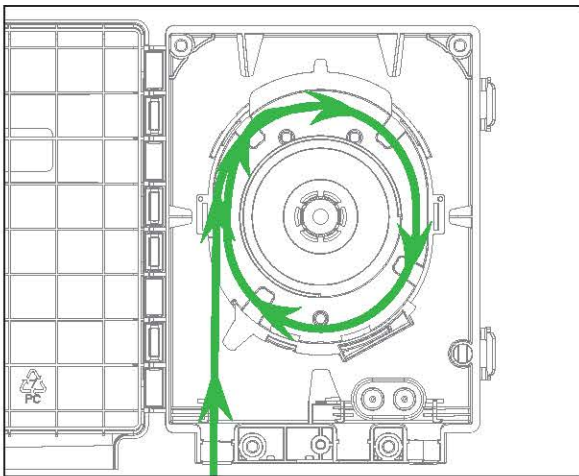
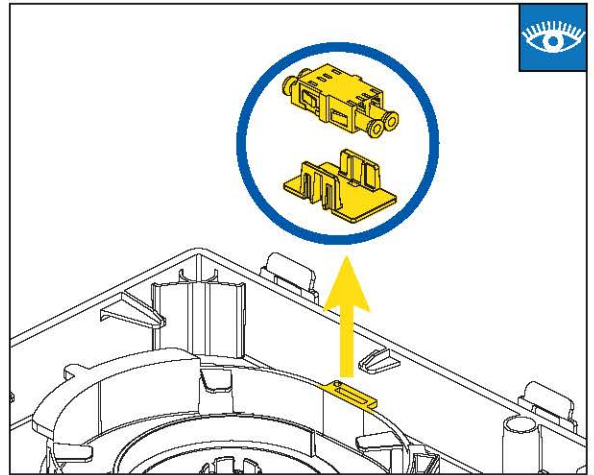
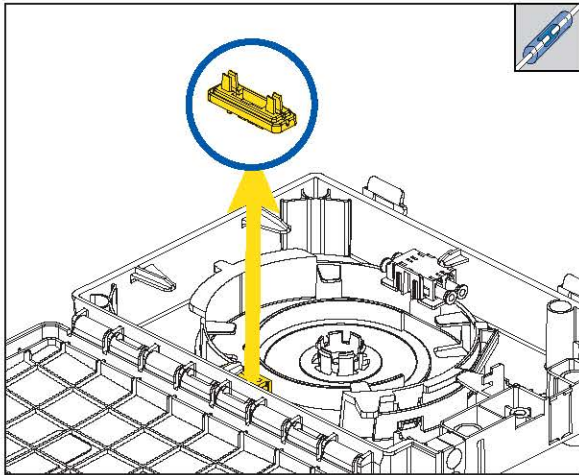
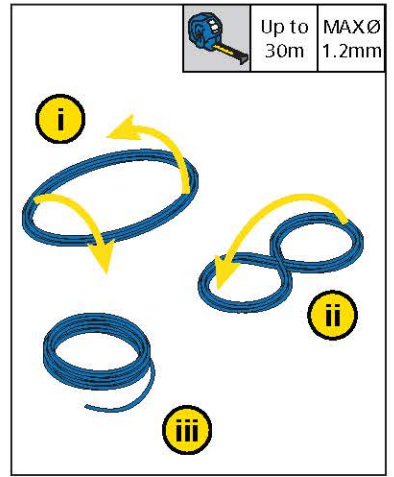
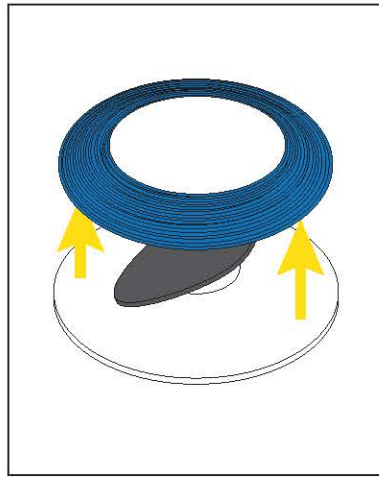
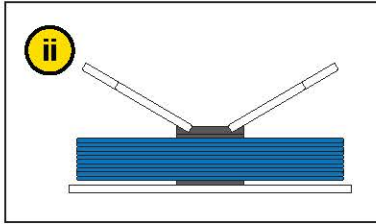
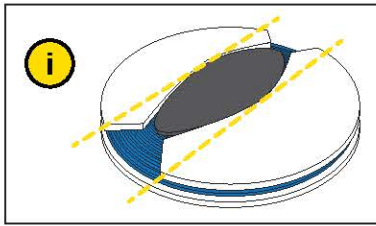
D

CABLE ENTRY

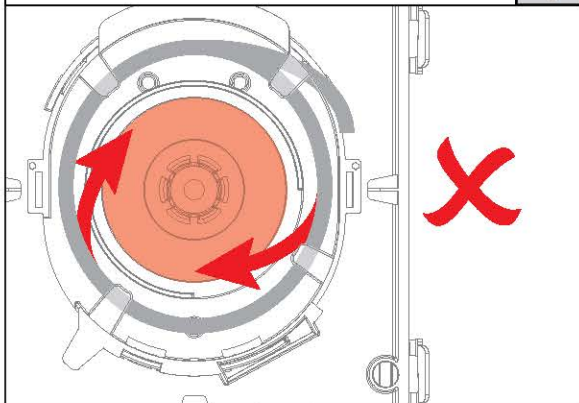


E

BLOWN FIBRE UNIT

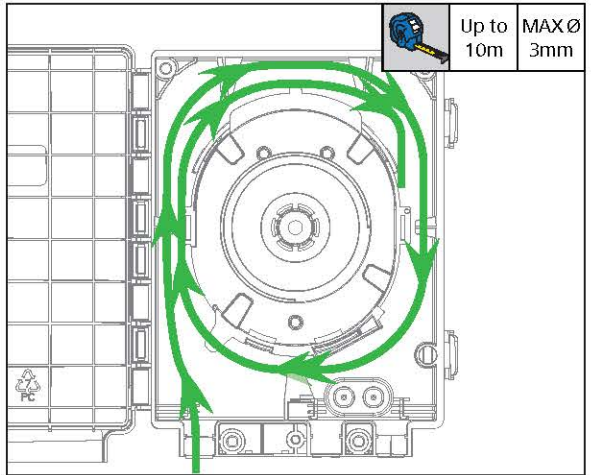
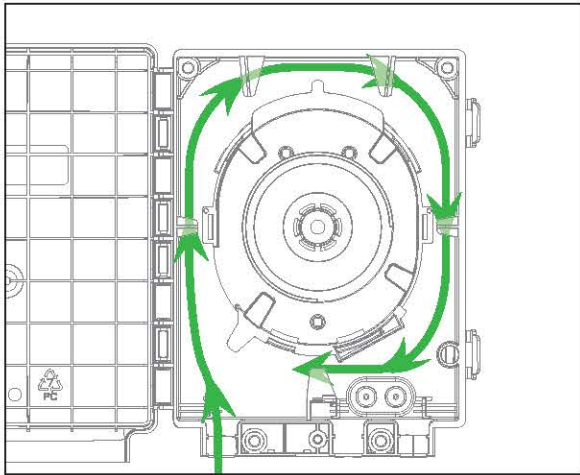
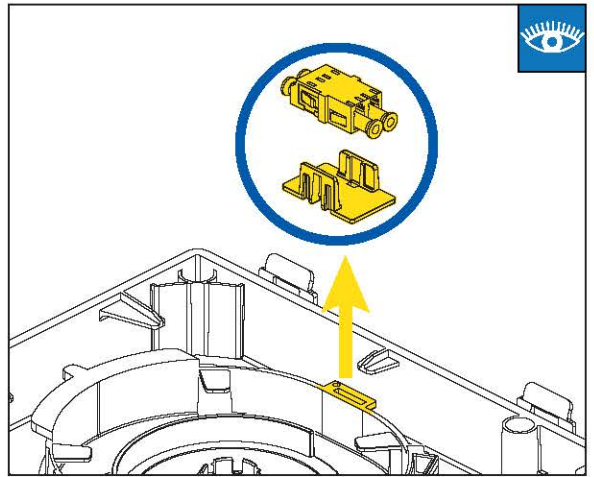
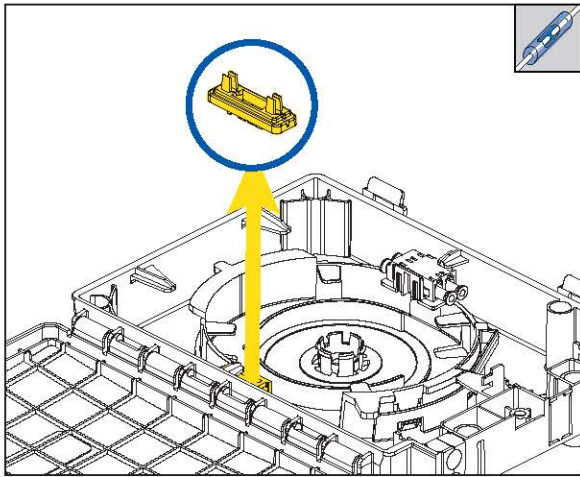


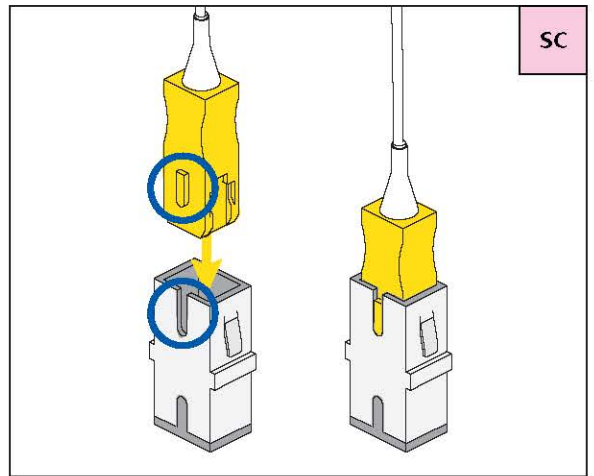
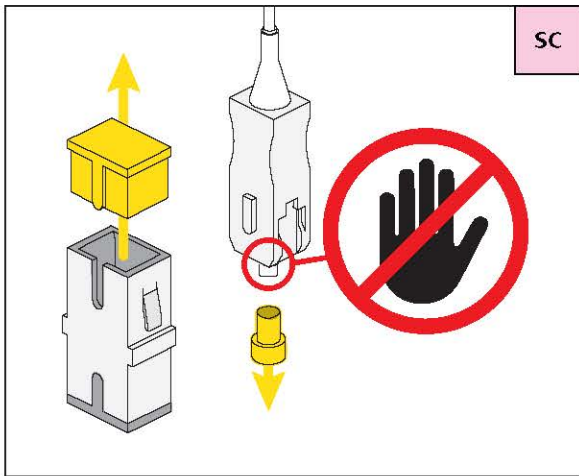
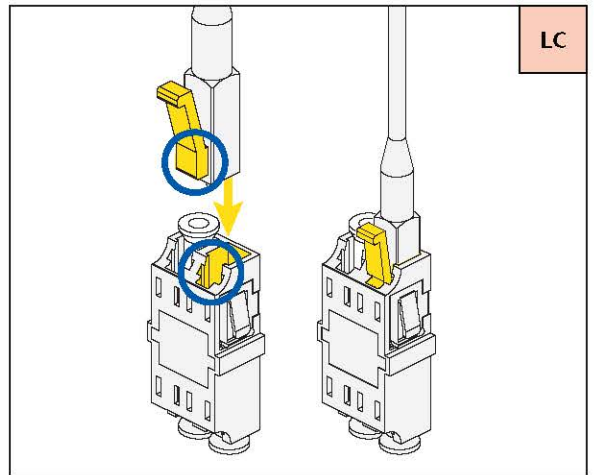
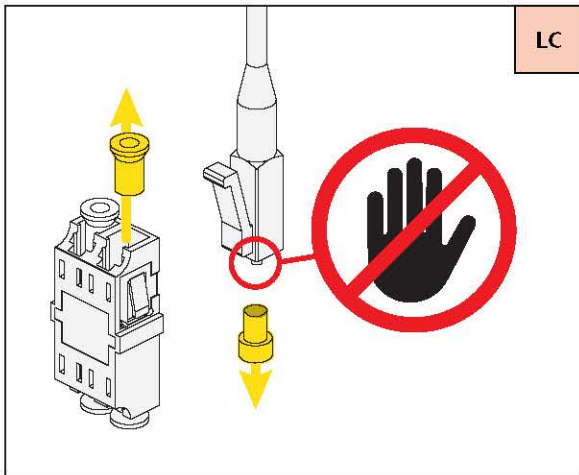
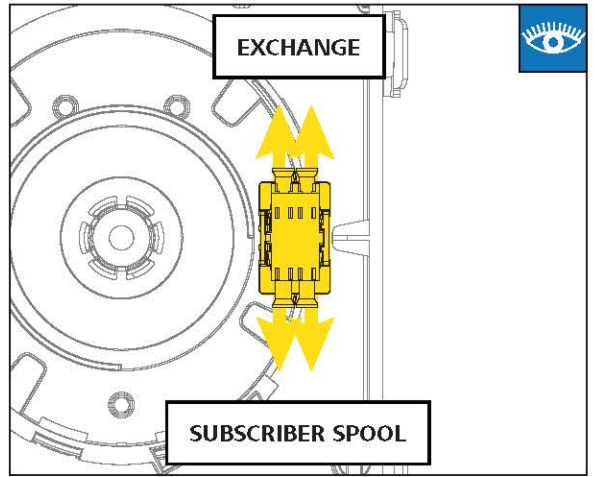
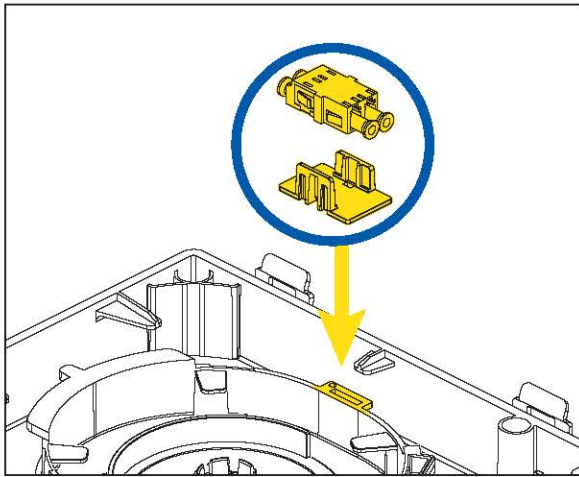
KEEP FIBRE CLEAR OF SPOOL MECHANISM !

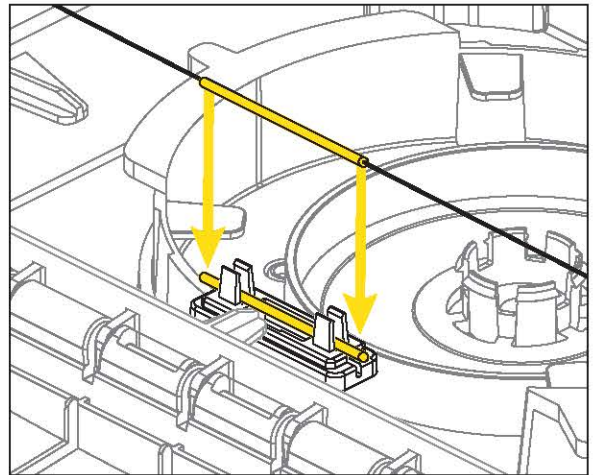
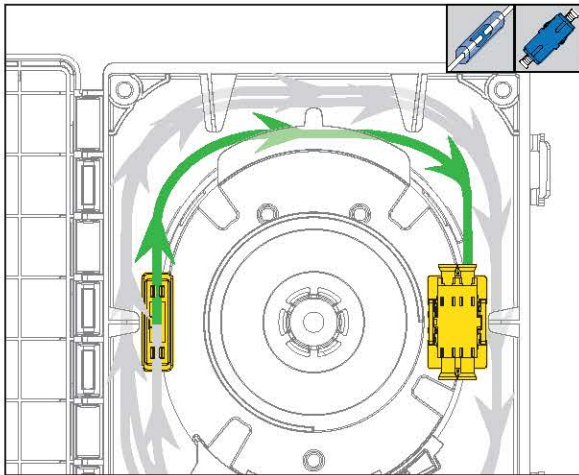
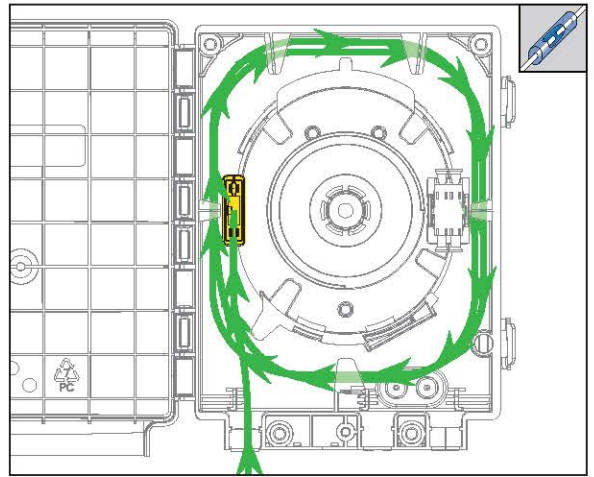
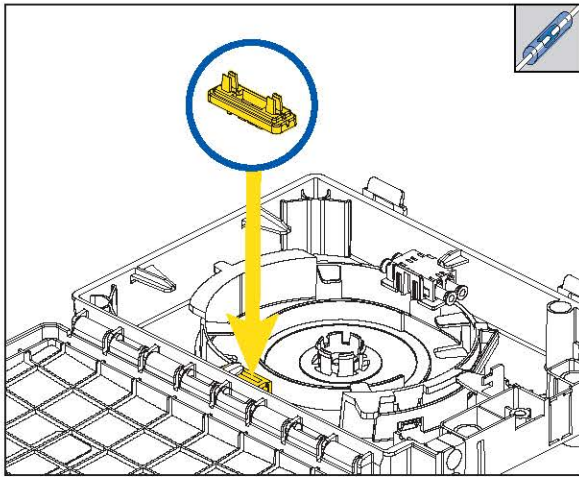


F

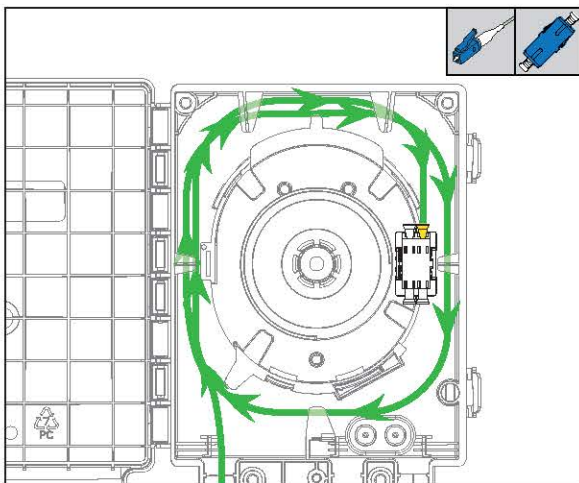
AERIAL OR DROP FIBRE CABLE







FIBRE ROUTING - PRE-TERMINATED



I

FIBRE PULLING - INTO THE HOME

