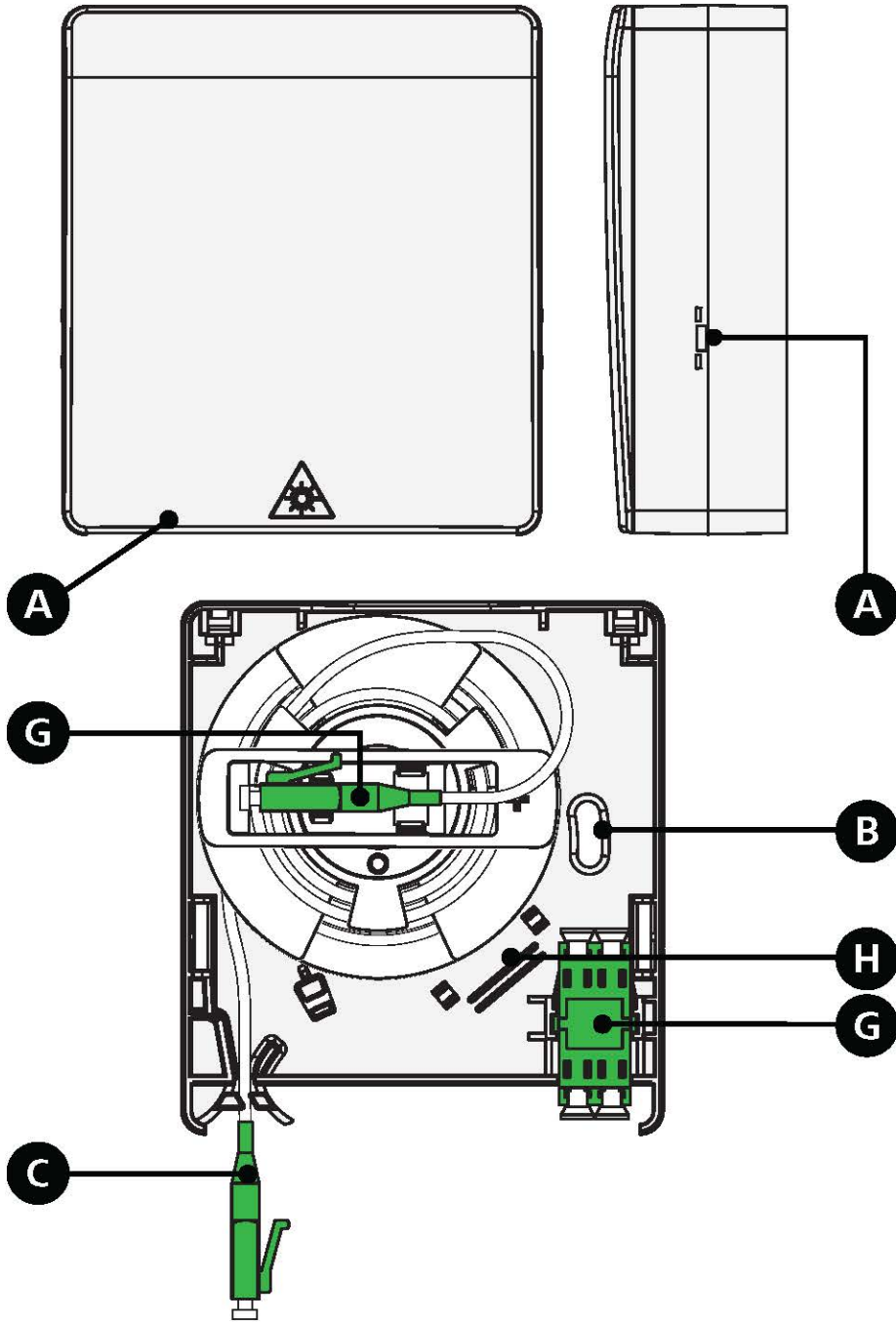




FFO 2.0



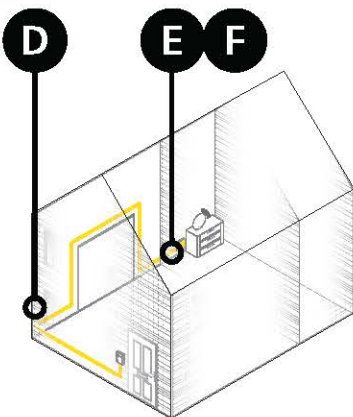
CAUTION: LASER

Do not look into beam.



Please read the installation instructions carefully before fitting.

If you have any uncertainty with regards to fitting this product, please consult a skilled installer.



In the box

Fixing Kit

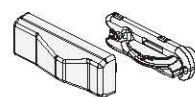
2x 2x



Available separately

Cable Management Kit

Through the Wall Managers



External Corners

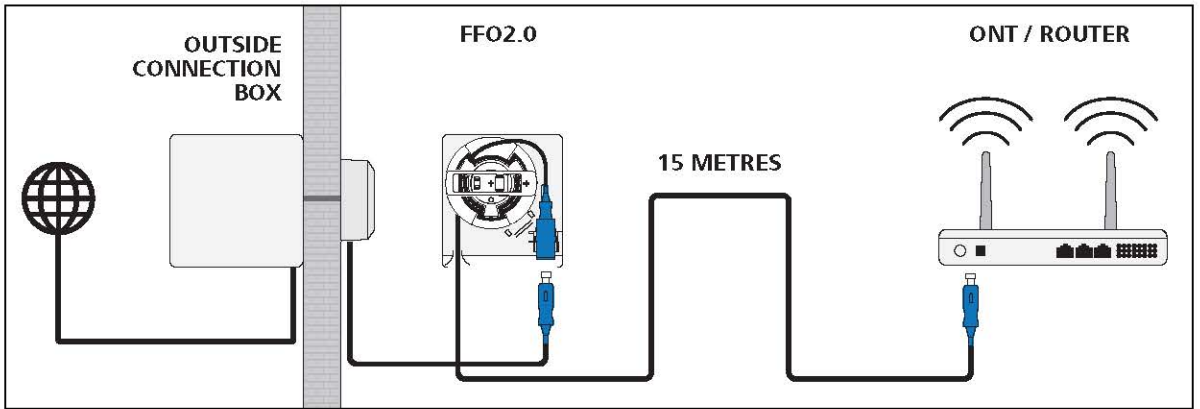
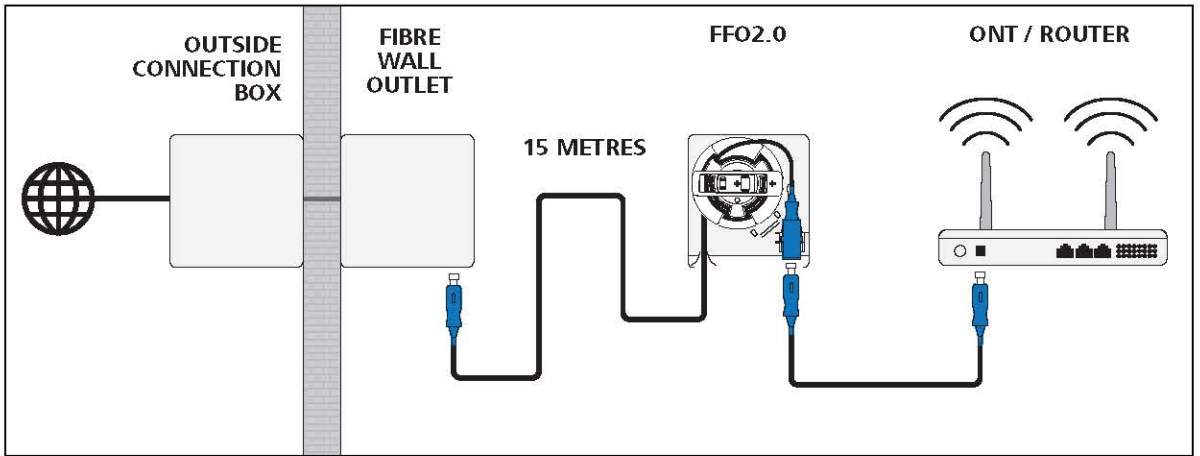


Internal Corners

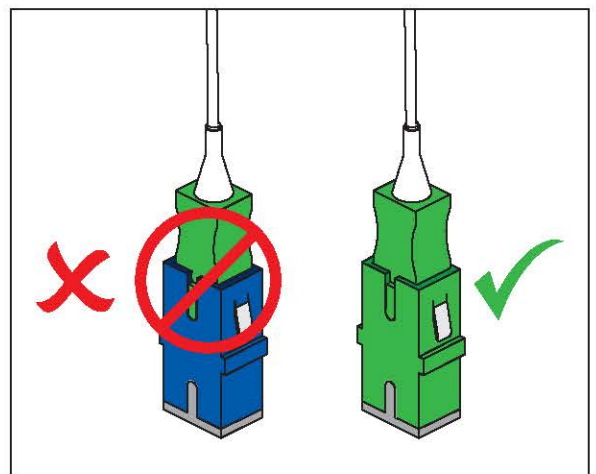
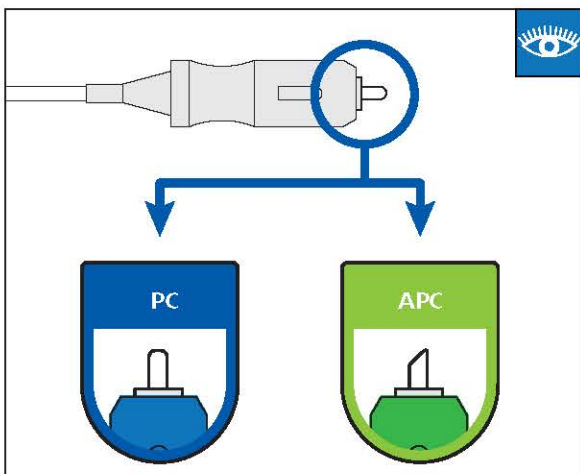
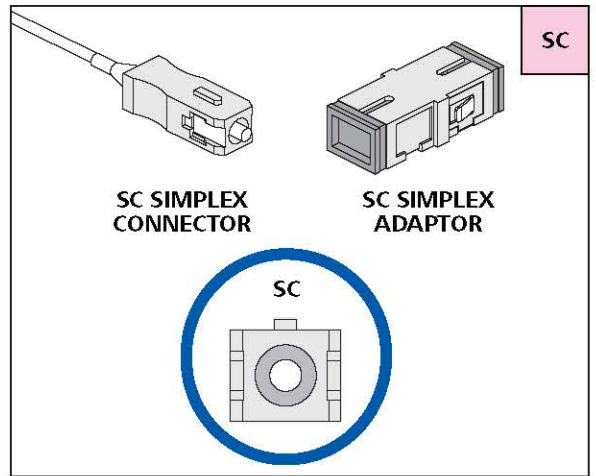
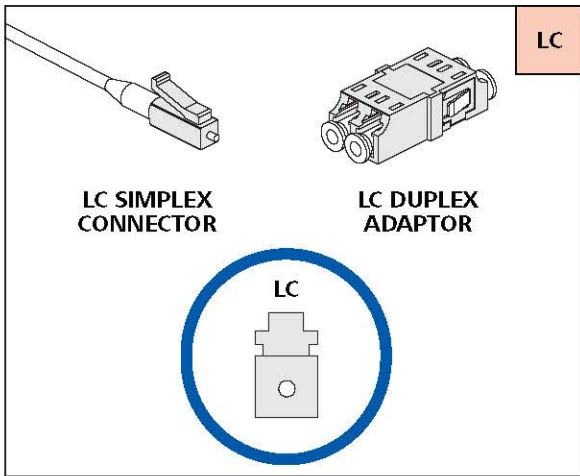
What you'll need

- 6mm drill bit
- Spirit level
- Fibre patch lead
- If routing through a wall
 - 12mm drill bit
 - 12/10 duct

EXAMPLE INSTALLATIONS

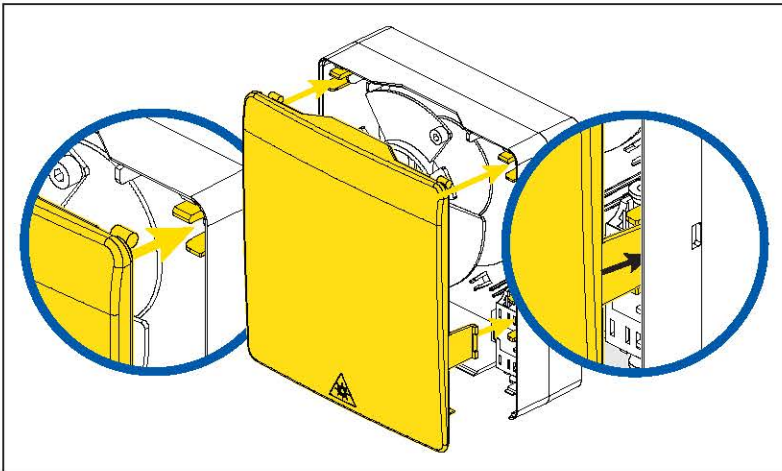
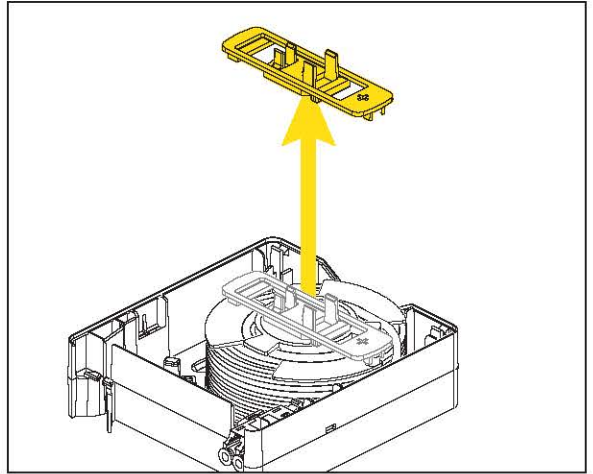
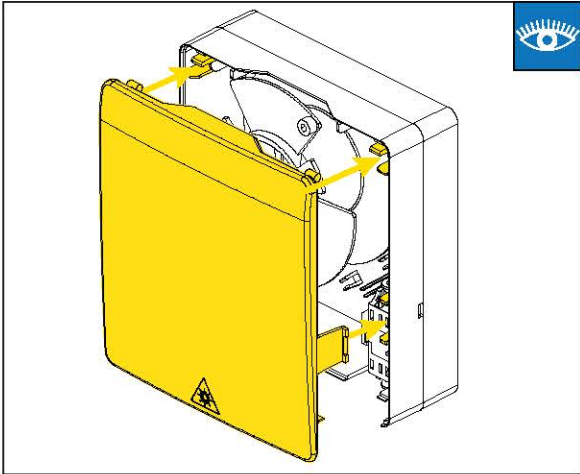
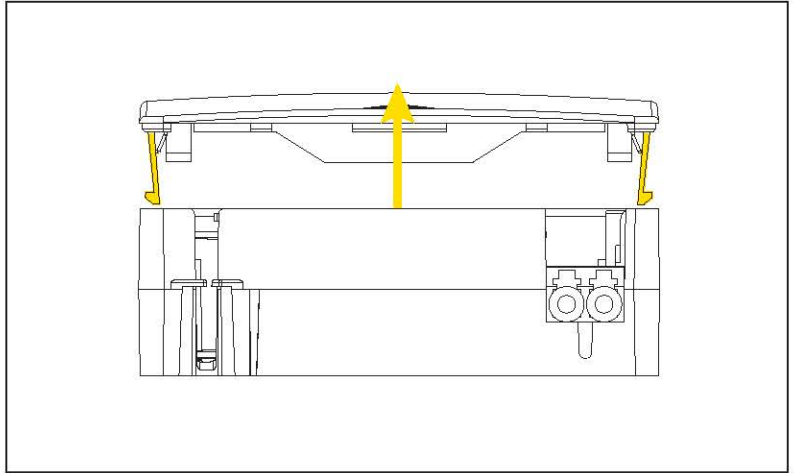
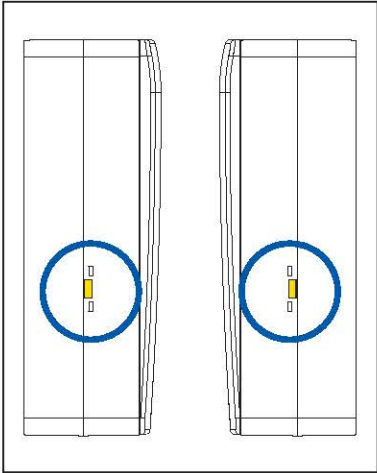
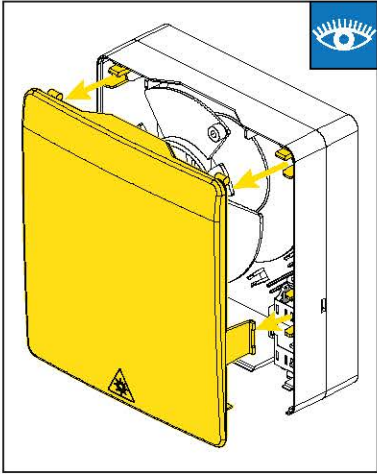


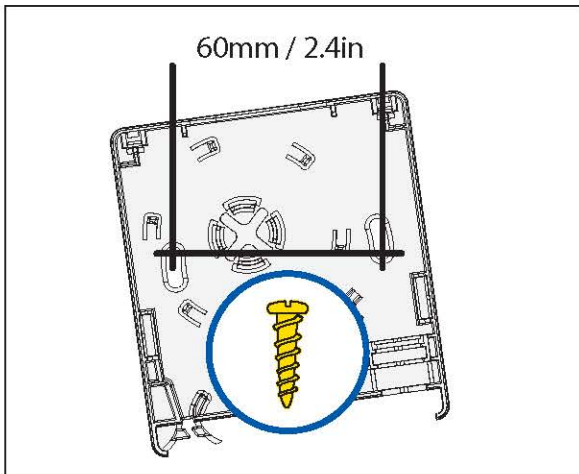
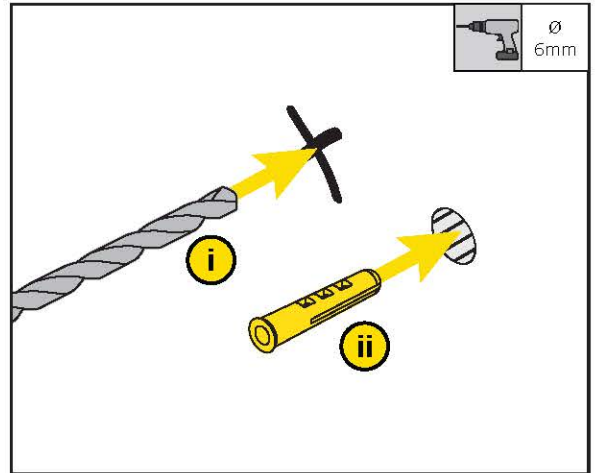
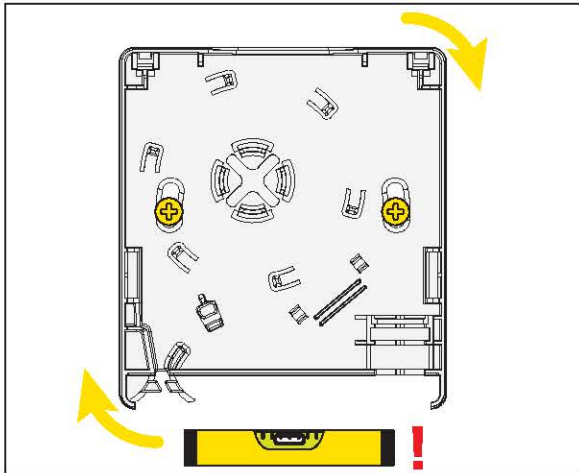
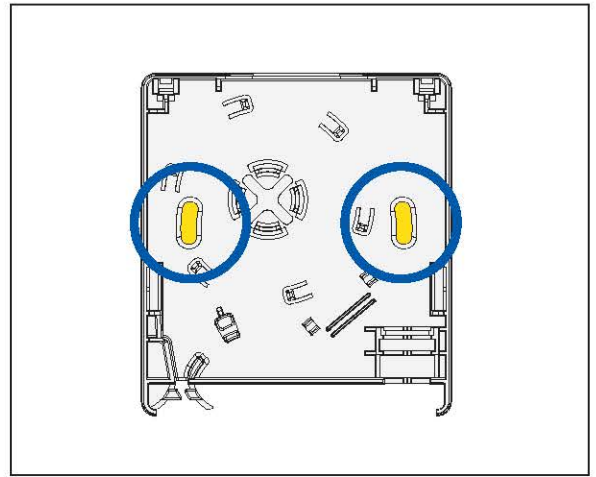
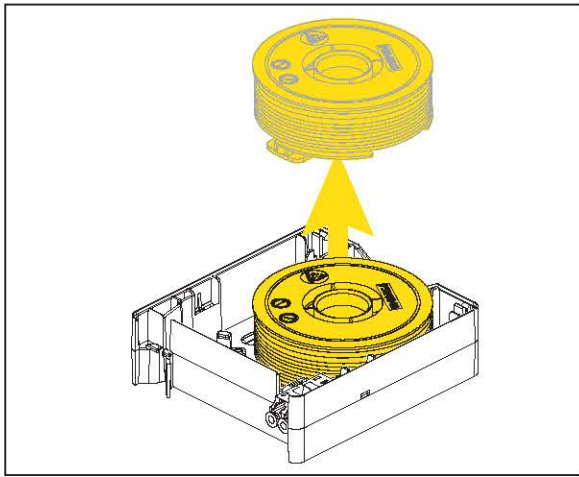
IDENTIFYING YOUR EQUIPMENT

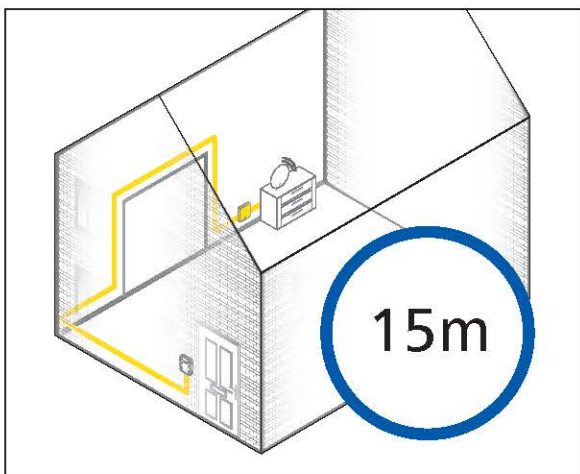
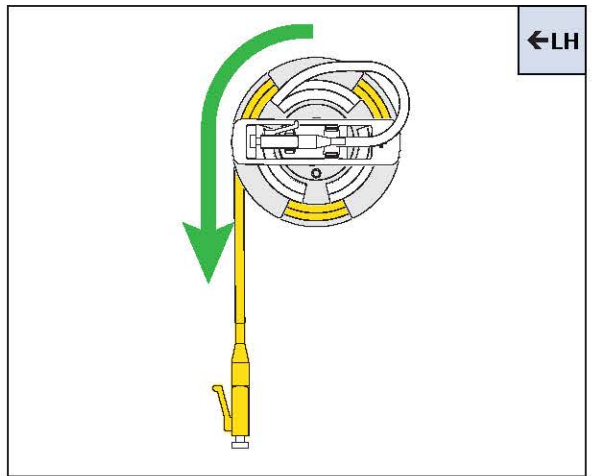
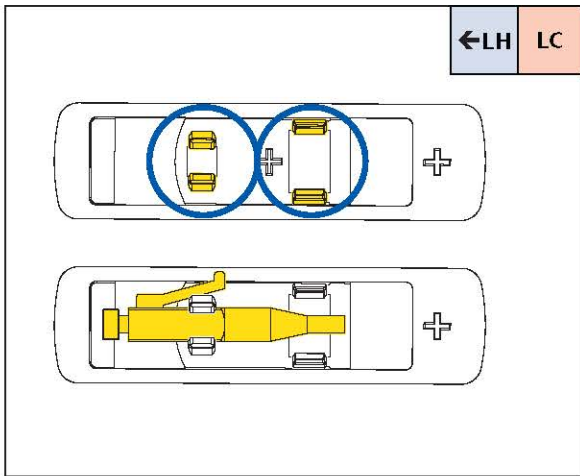
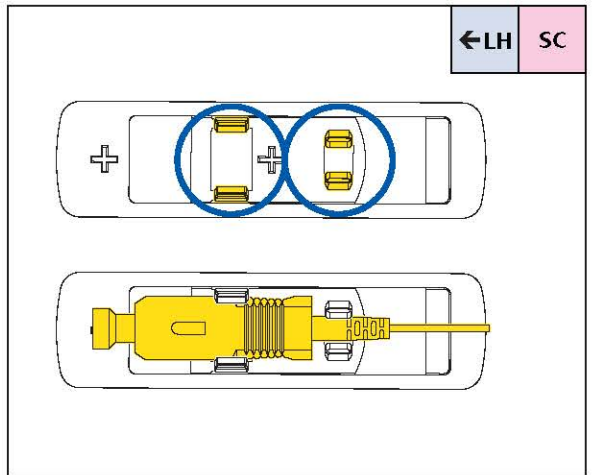
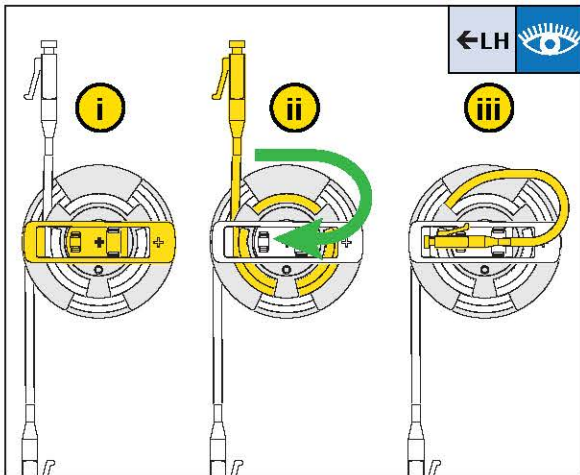
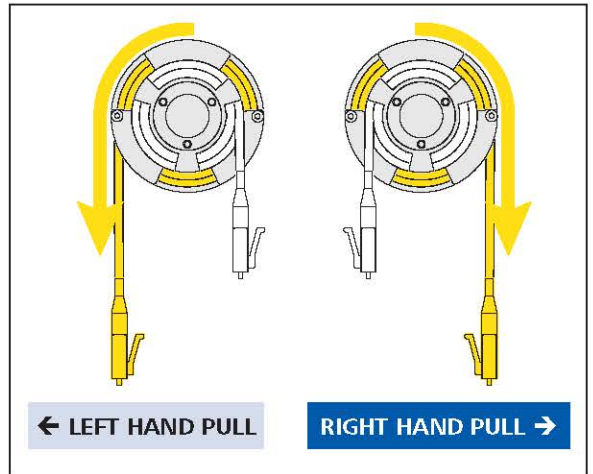
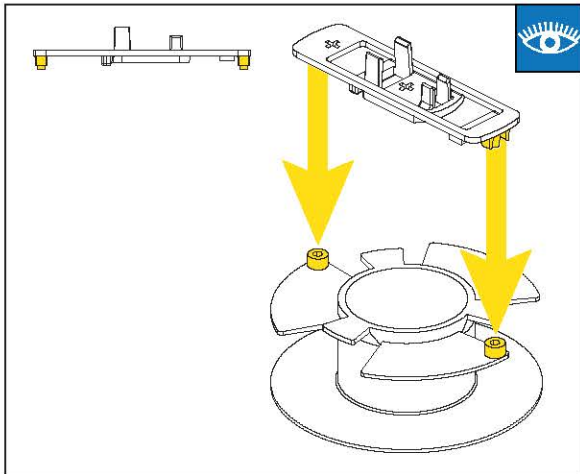


A

OPENING AND CLOSING

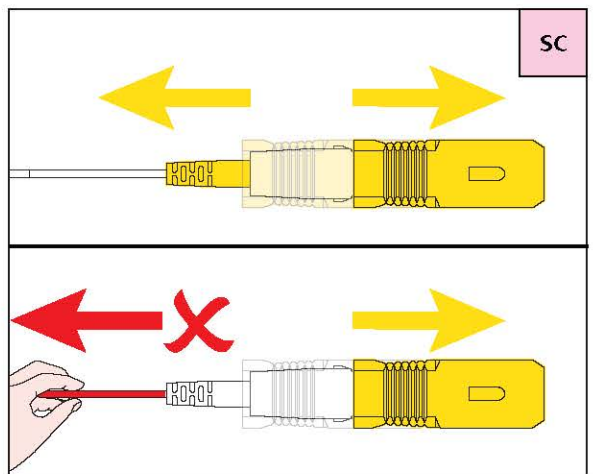
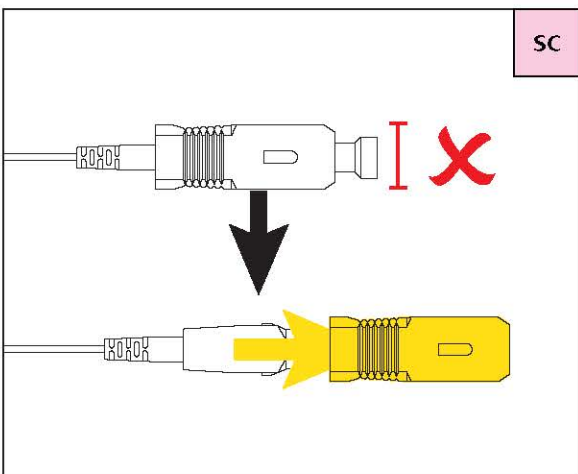
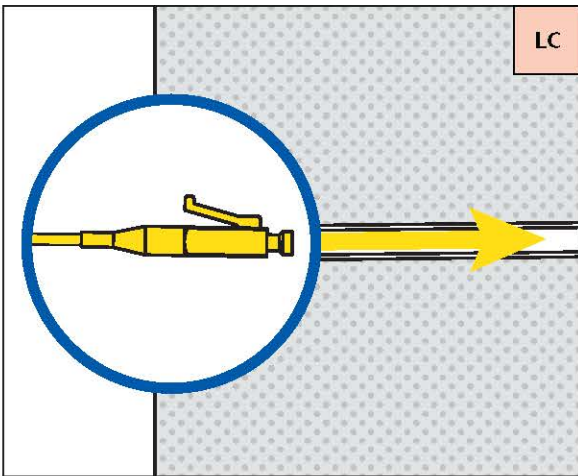
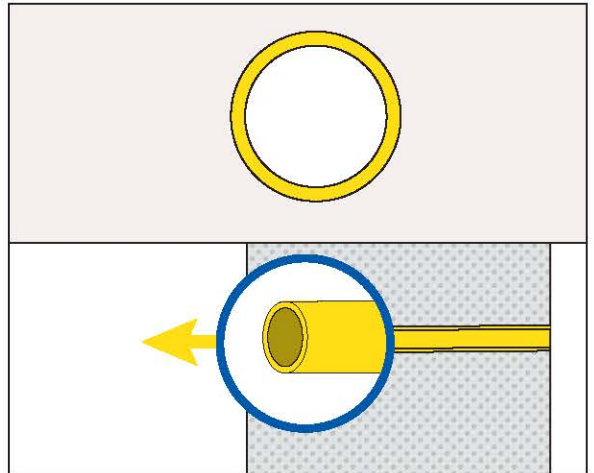
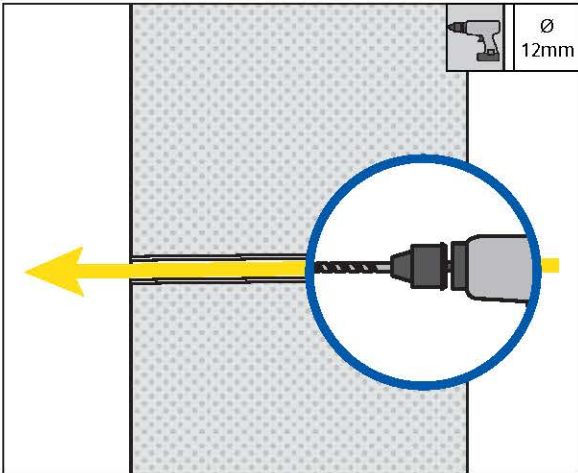
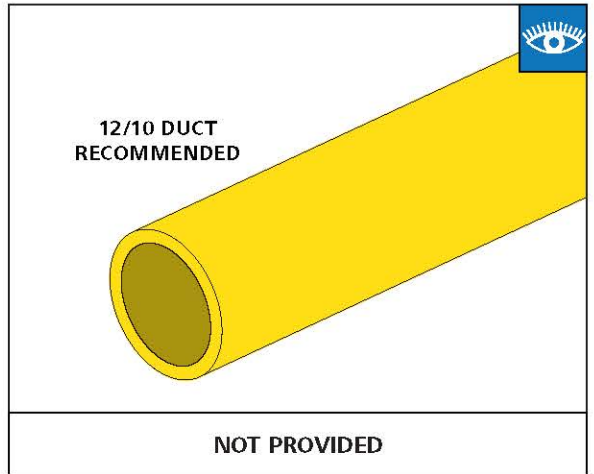
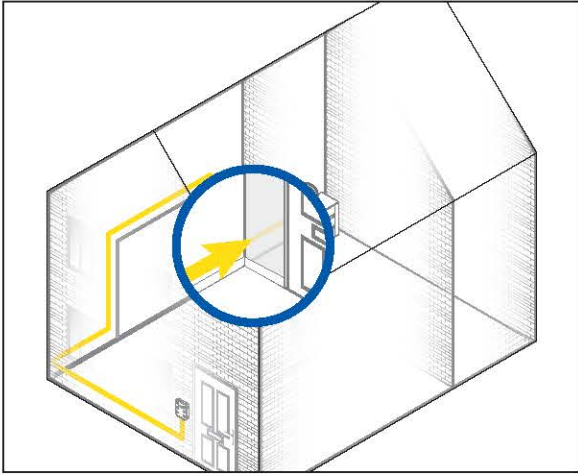


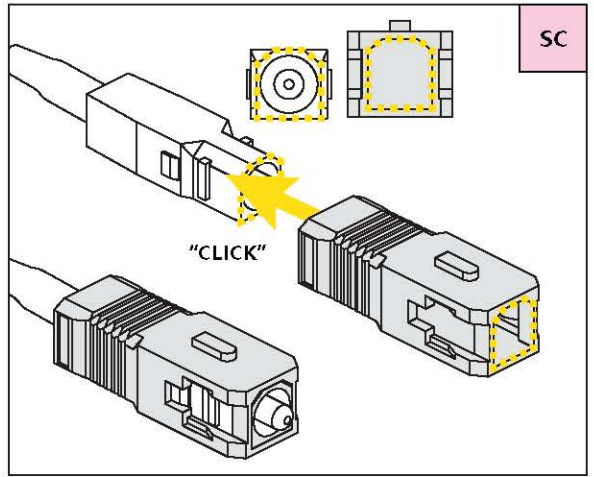
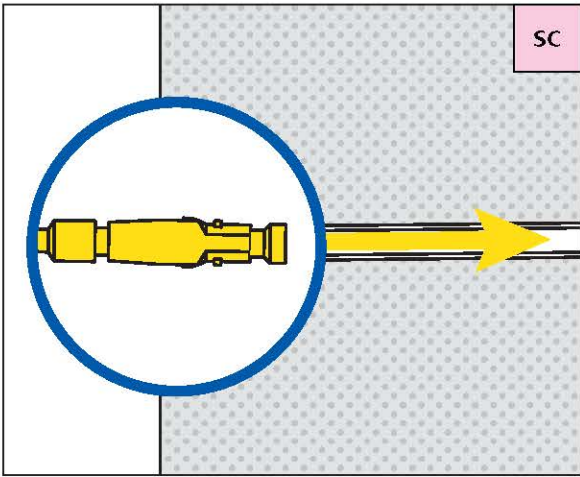
B**WALL MOUNTING**

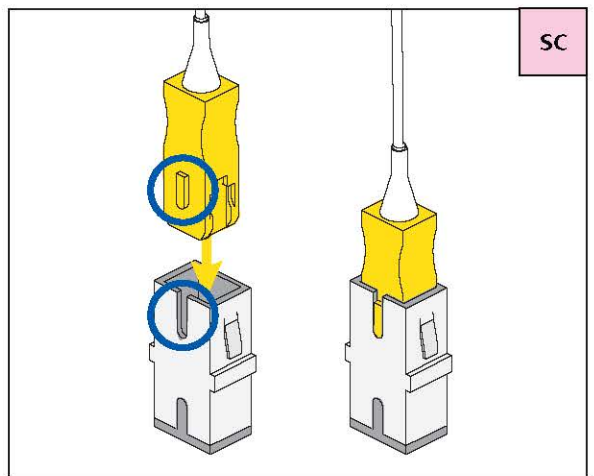
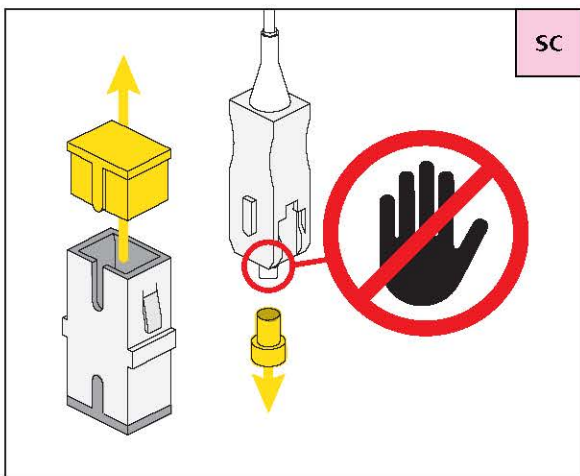
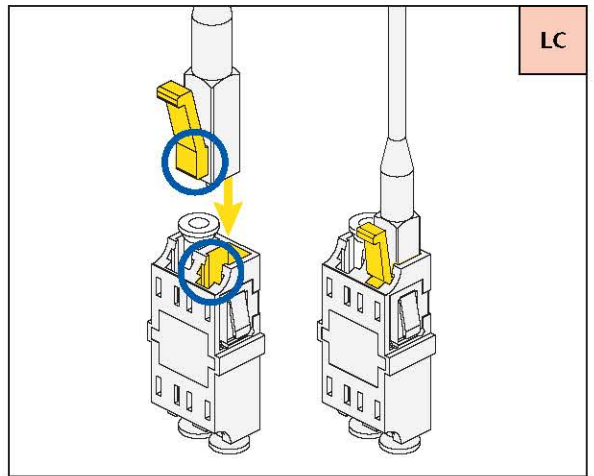
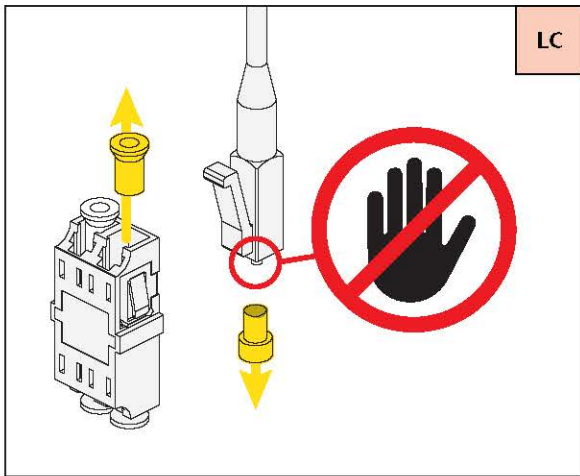
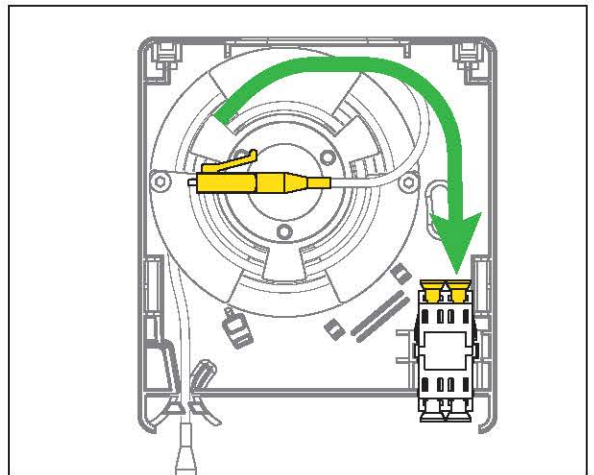
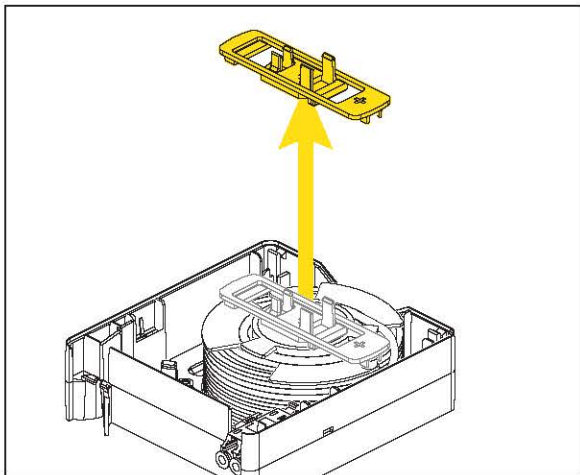
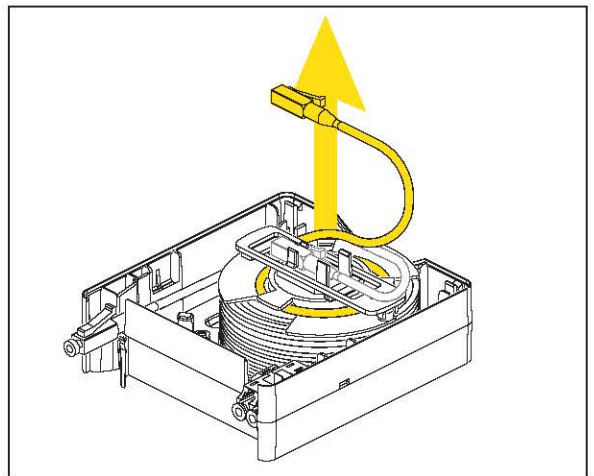
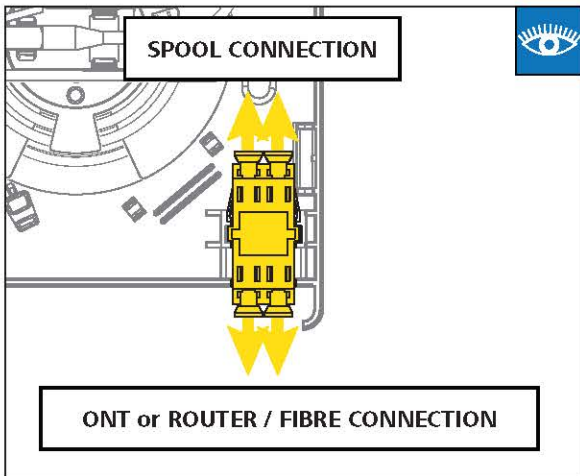


E

THROUGH THE WALL PREPARATION

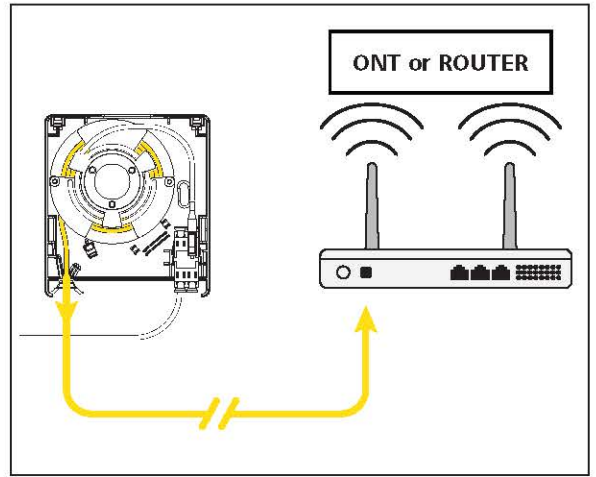
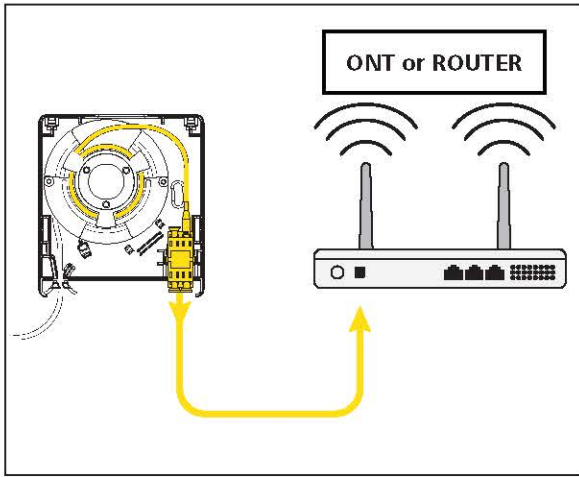






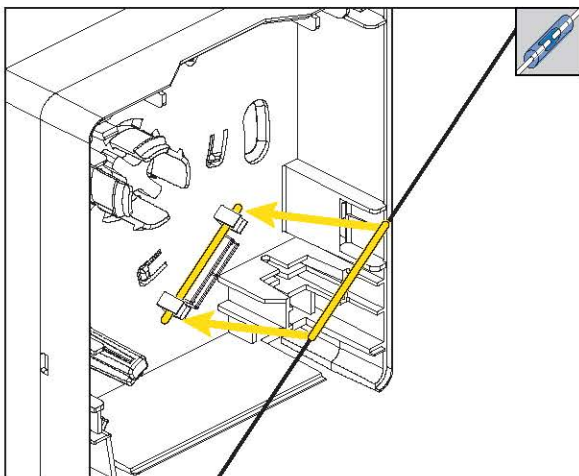
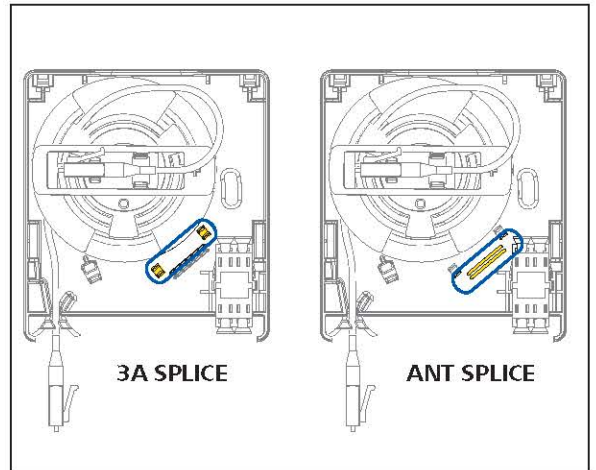
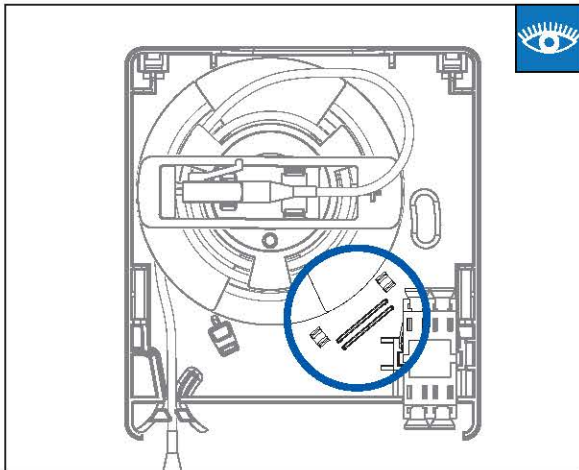
G

ADAPTOR CONNECTION

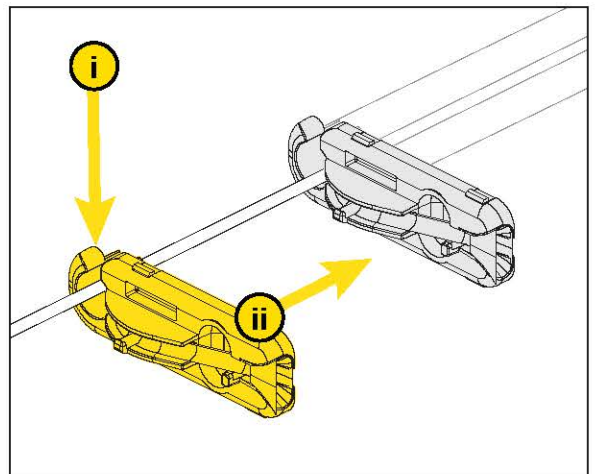
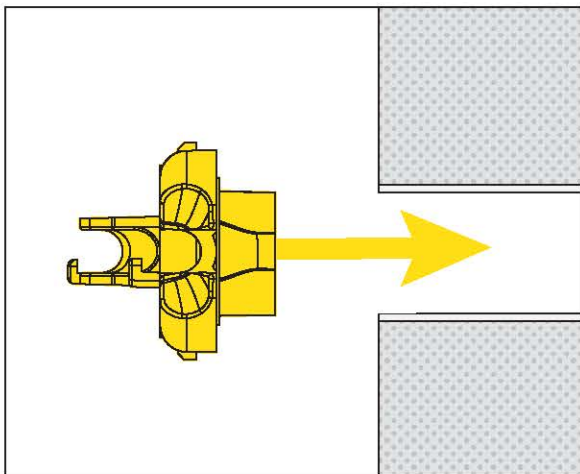
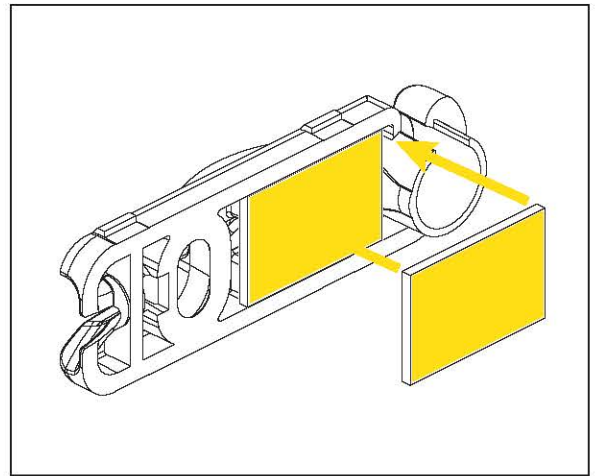
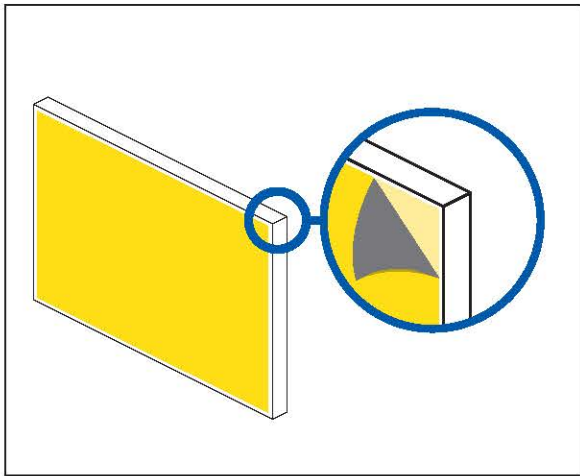
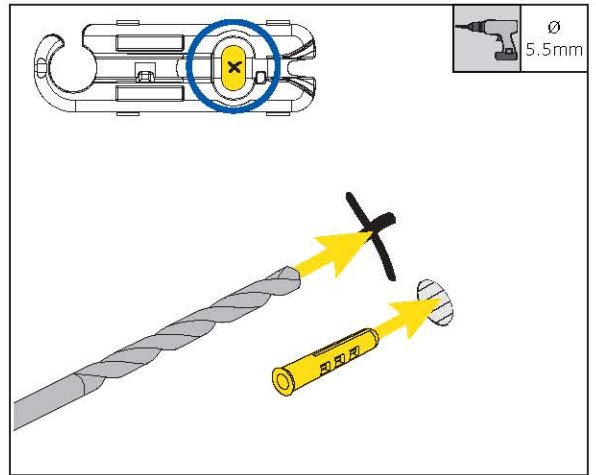
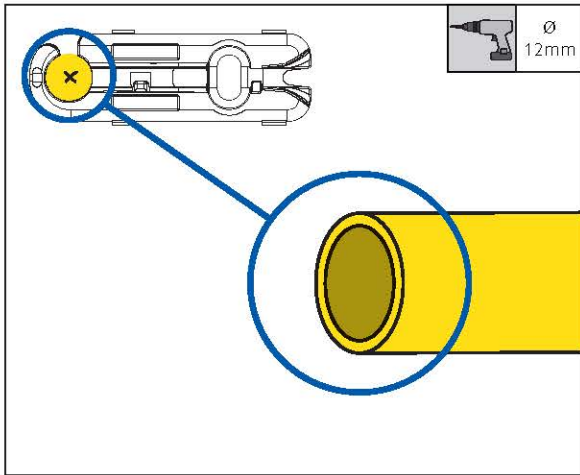
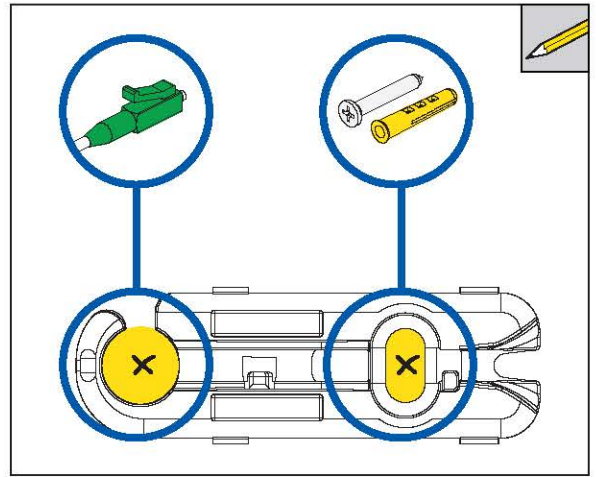
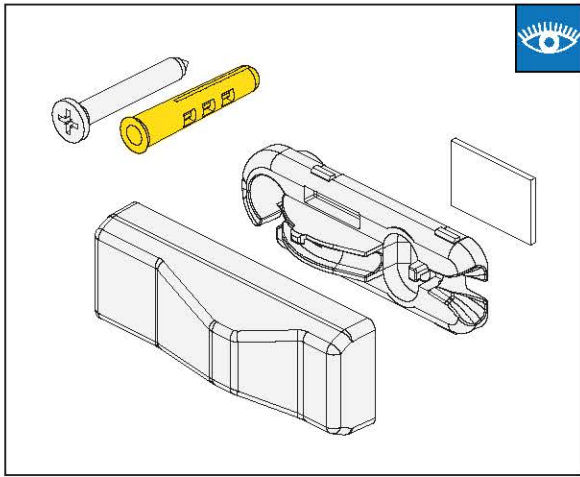


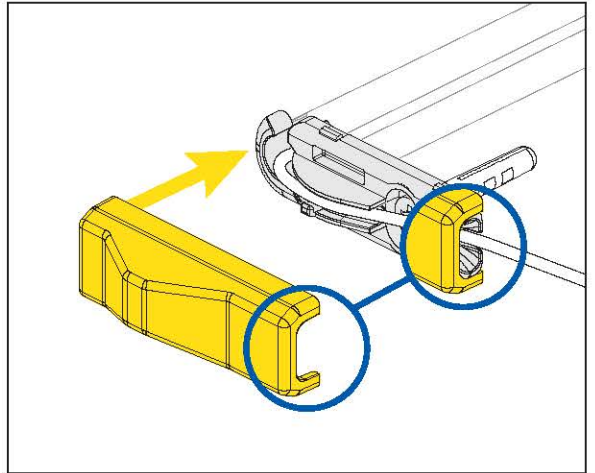
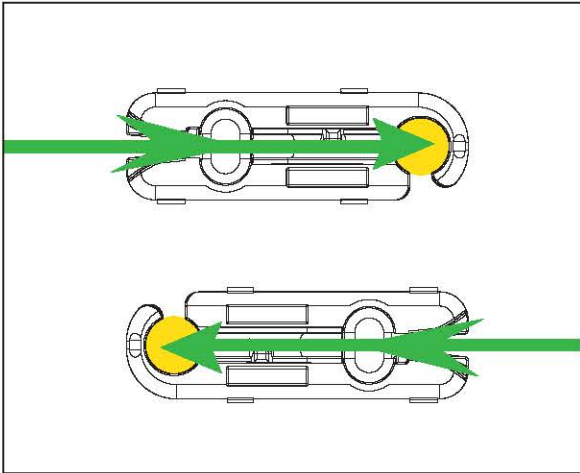
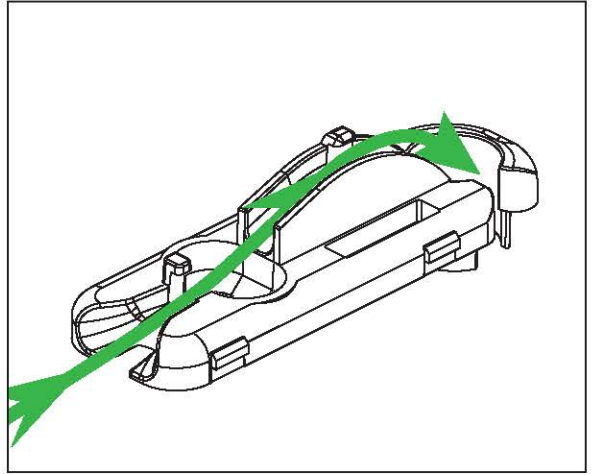
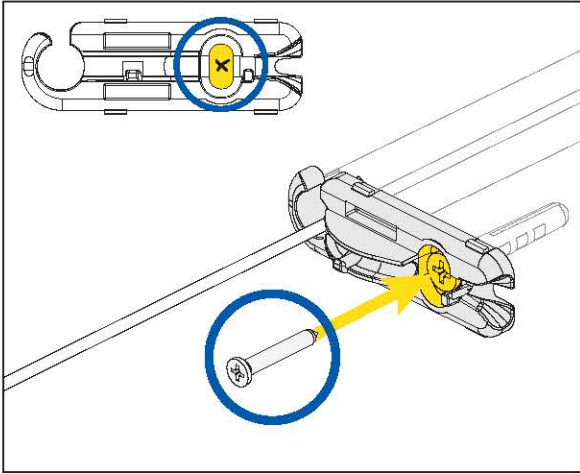
H

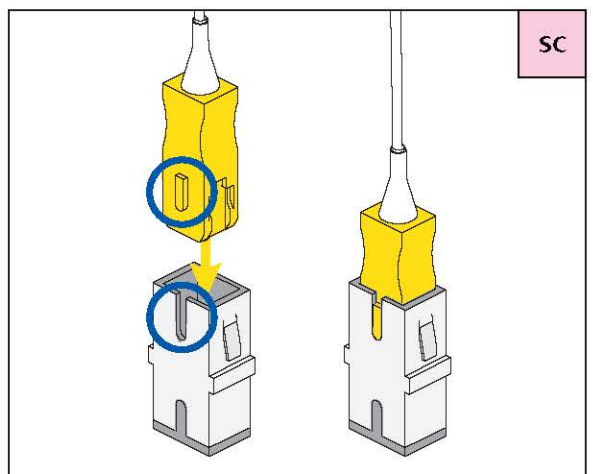
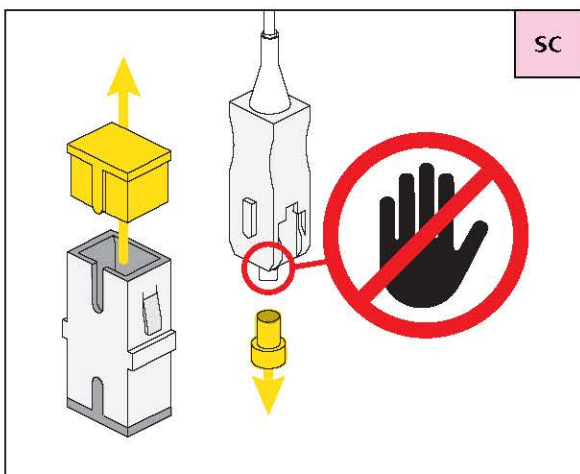
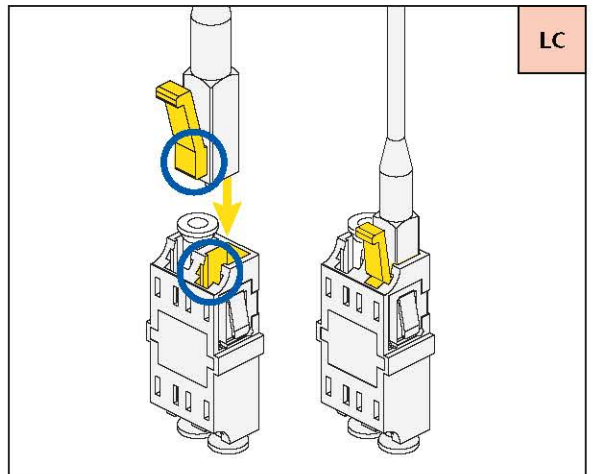
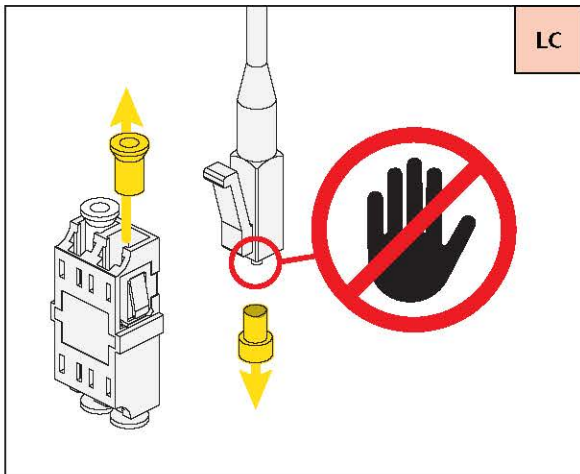
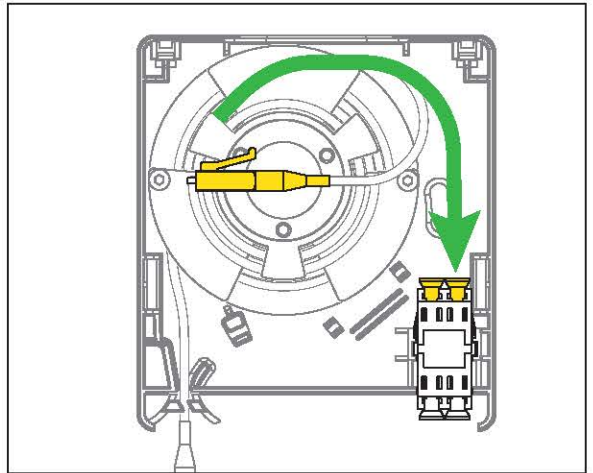
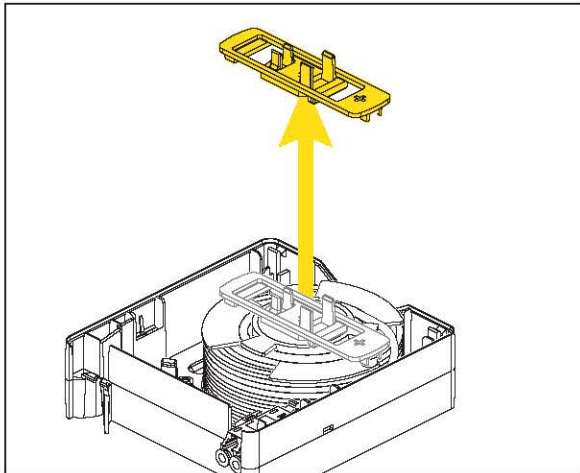
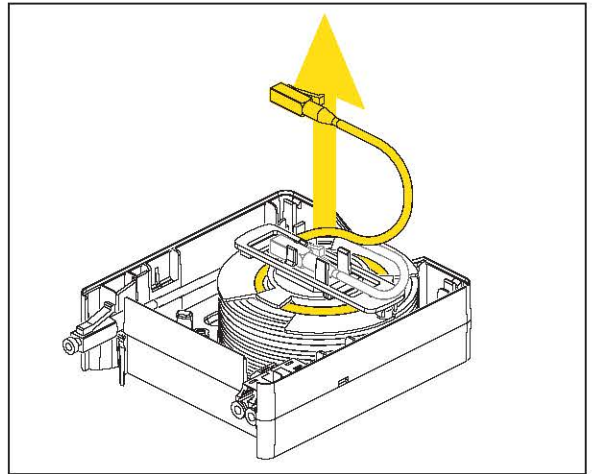
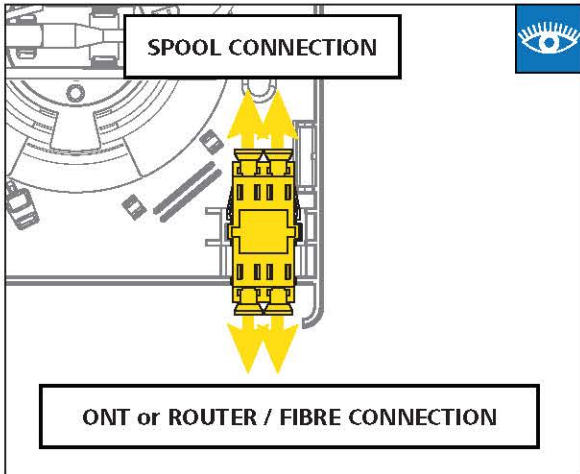
SPLICING



HellermannTyton Data Ltd – UK
Tel: +44 (0) 1604 706633
www.htdata.co.uk

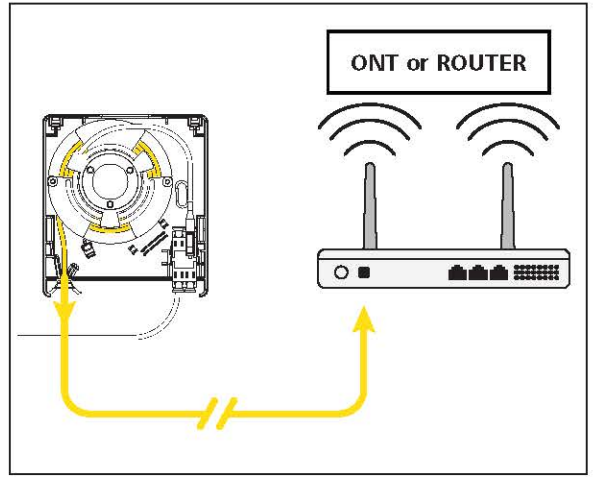
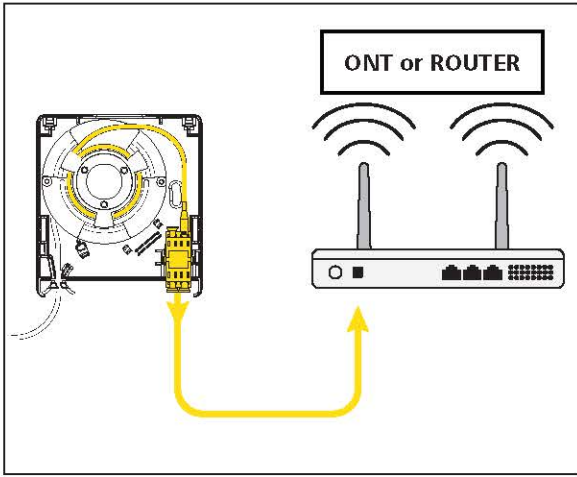






G

ADAPTOR CONNECTION



H

SPLICING

